

# Sliding Door (Alcove)

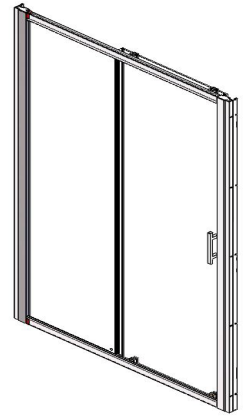
## Instruction Manual

N2T



PO Box 125, Whitworth Avenue,  
Aycliffe Business Park,  
Co Durham DL5 6WX

To obtain a copy of the Declaration of Performance for this product, please go to: [www.ce-dop.com](http://www.ce-dop.com), contact us on +44 (0) 1325 328034, or write to us at the above address, quoting the product reference number where possible.



### IMPORTANT INFORMATION

Be aware toughened glass can shatter if not handled correctly. It should not be subjected to any sharp impact and it is essential to protect the glass by resting it on a soft protective surface during installation such as cardboard or carpeting. It is recommended to wear PPE at all times during installation.



#### PRE-INSTALLATION CHECKS

1. Check you have the correct product. Please look at the labels on the side of the product packaging.
2. Check all the product components are in the box and the fixing kits.
3. Unpack your product and handle it with care.
4. Please check the product for defects or damage, once the installation has commenced we cannot accept responsibility for any defects or damage.
5. Please take time to read these instructions prior to installing your product.
6. Before you commence any drilling check there are no hidden electrical cables and/or water pipes.
7. No attempt should be made to re-work the toughened safety glass.
8. The installation of the product should be performed by two persons.
9. It is strongly recommended that the walls the product is going to be installed on are vertical.
10. It is strongly recommended the product is fitted on a tiled surface or similar waterproof surface.
11. It is strongly recommended the walls are tiled and grouted before the product is installed.
12. If the walls and/or the tray are not level you will not achieve maximum adjustment of the product.
13. Pictures used are for illustration purposes only, product designs may alter slightly as a result of continuing product development.
14. We do not stipulate where the European Standard Kite Mark should be positioned on the glass when being factory assembled.
15. Please note that some natural misting may occur when you remove this product from its packaging, due to the addition of the glass protection pre-coating. If this does occur this can easily be removed with a soft, dry cloth.

#### Component Check List: Supplied

Description	Quantity
Wall Profiles	2
Horizontal Rails	2
Vertical Main Frame	1
Bearing Assemblies (2 Top + 2 Bottom)	4 (Total)
Door Stops	4
Door Glass	1
Frame Flipper Seal	1
Door Flipper Seal	1
Panel Flipper Seal	1
Glass Clamps (1 Left + 1 Right Hand)	2 (Total)
Panel Assembly	1
Door Handle Assembly	1
Horizontal Rail Panel Seals	2
Cover Plates	2
Profile Cover Plate	2

#### Fixing Kit Components

Description	Quantity
2.5mm Drill Bit	1
40mm Screws & Wall Plugs	10 of Each
Frame Fixing Screws	8
9mm screws	10
Branding Badge	1
LH & RH Top Cap	1 of Each
Miniature Top Caps	2

#### Equipment Check List: Not Supplied

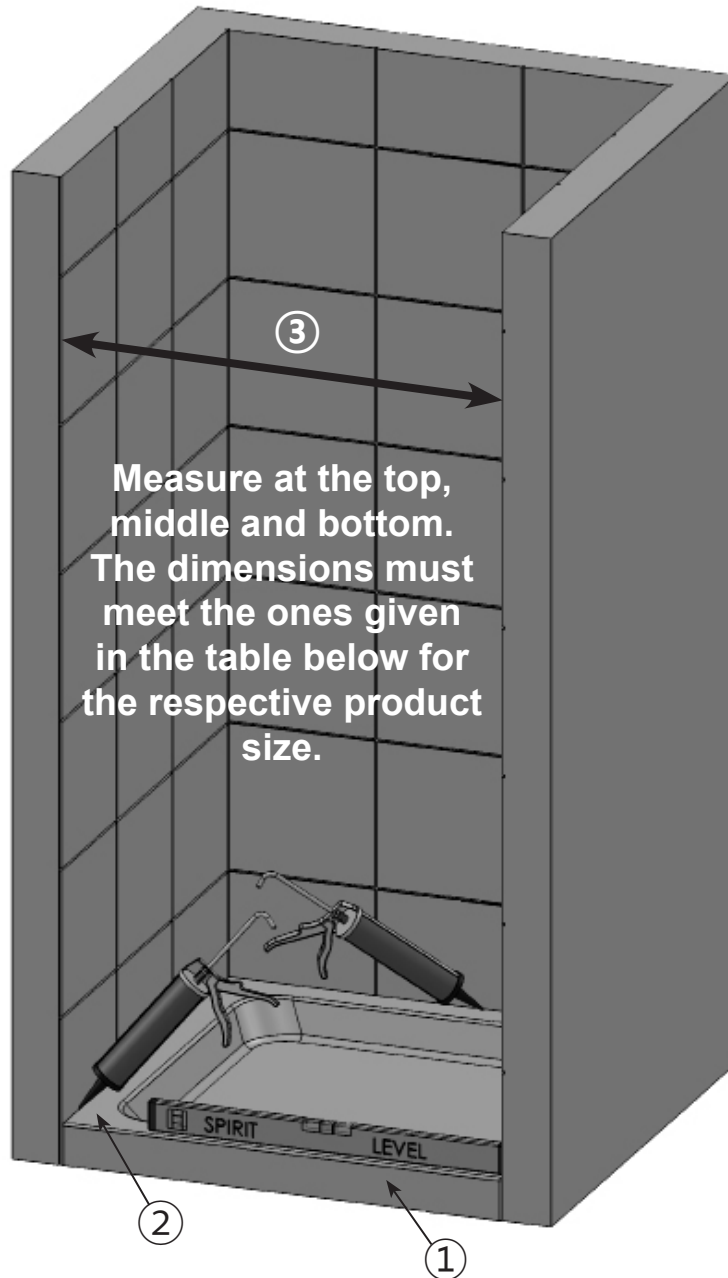
Description
Electric / Battery Drill
6mm Masonry Drill Bit
Silicone Sealant Gun
Bathroom Sealant
Screwdriver
Spirit Level
Tape Measure
Pencil
Stanley Knife / Snips

### CONSUMER GUARANTEE

Please make sure the purchaser/end user completes and returns the guarantee card which is enclosed with this product. Failure to validate the Guarantee will mean only the 1 Year Statutory Guarantee will apply.

## Step 1 - Preparation

NOTE: The Sliding Door is designed to fit into an alcove between two tiled walls (as shown below) or with a return panel.

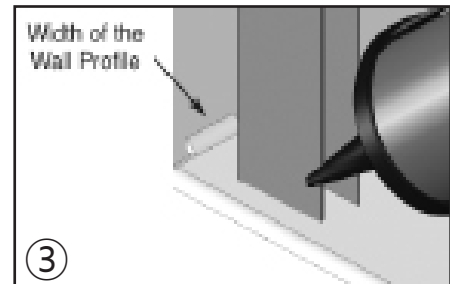
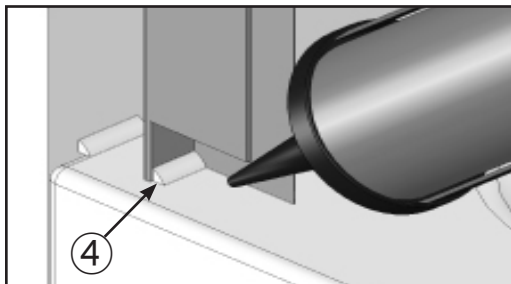
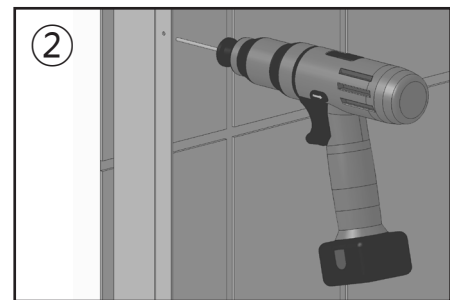
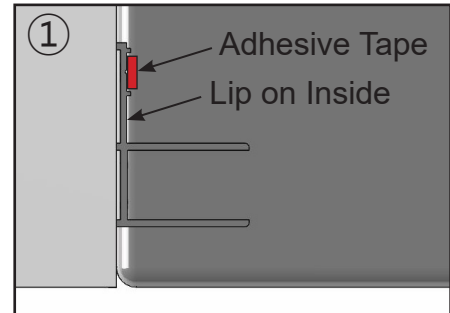
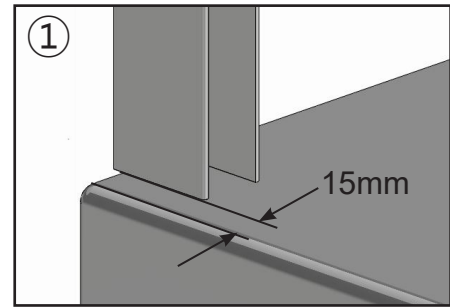
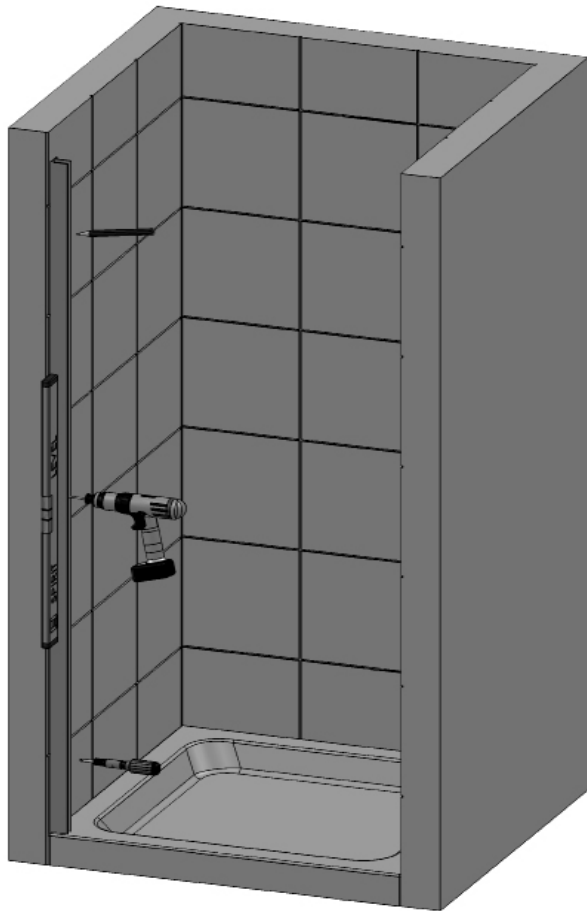


Product Code	Minimum Alcove Size	Maximum Alcove Size
N2T1213	1150mm	1190mm
N2T1413	1350mm	1390mm
N2T1513	1450mm	1490mm
N2T1713	1650mm	1690mm

1. Ensure the tray is completely level and check for any movement by standing in it - correct as necessary.
  - **Please ensure that the tray is installed as per the manufacturers instructions.**
2. Seal the tray fully along the tiled walls prior to installation with a bathroom sealant (not supplied).
  - **Prior to fitting the enclosure and when the sealant has fully cured, spray the shower handset over the joints and check for any leaks.**
3. IMPORTANT: Prior to installing/attempting to fit the Sliding Door into an alcove measure the opening at the top, middle and bottom after all tiling and grouting has been done. Check this against the dimensions given in the table shown above to see if your alcove meets the criteria.
  - **Check the plumbing for leaks.**
  - **Do not plasterboard over the tray.**
  - **Do not grout the tiles when the enclosure has been fitted as the grout may discolour the aluminium.**

## Step 2 - Fitting 1st Wall Profile

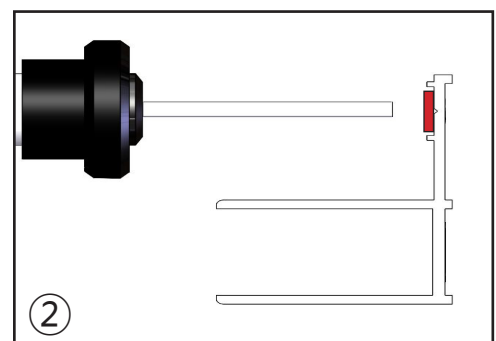
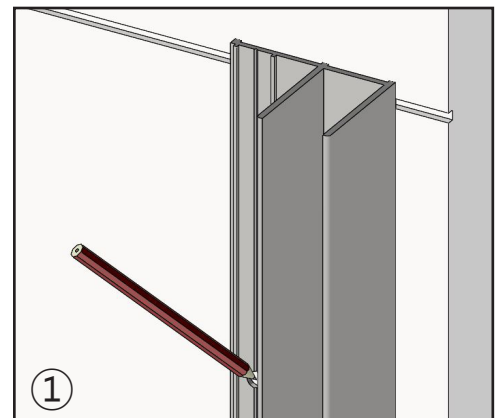
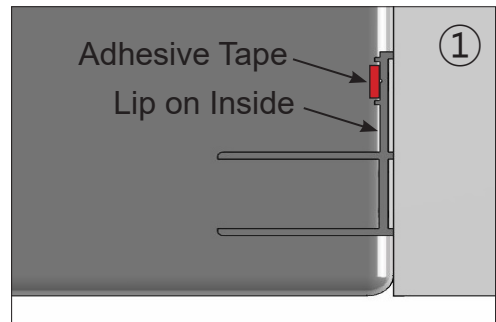
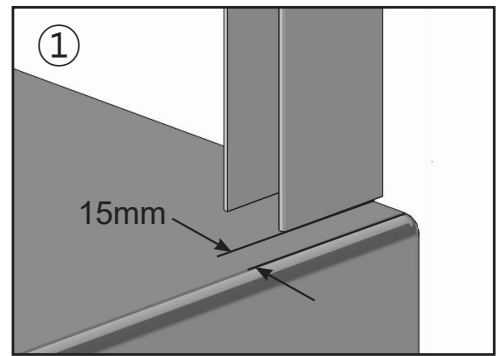
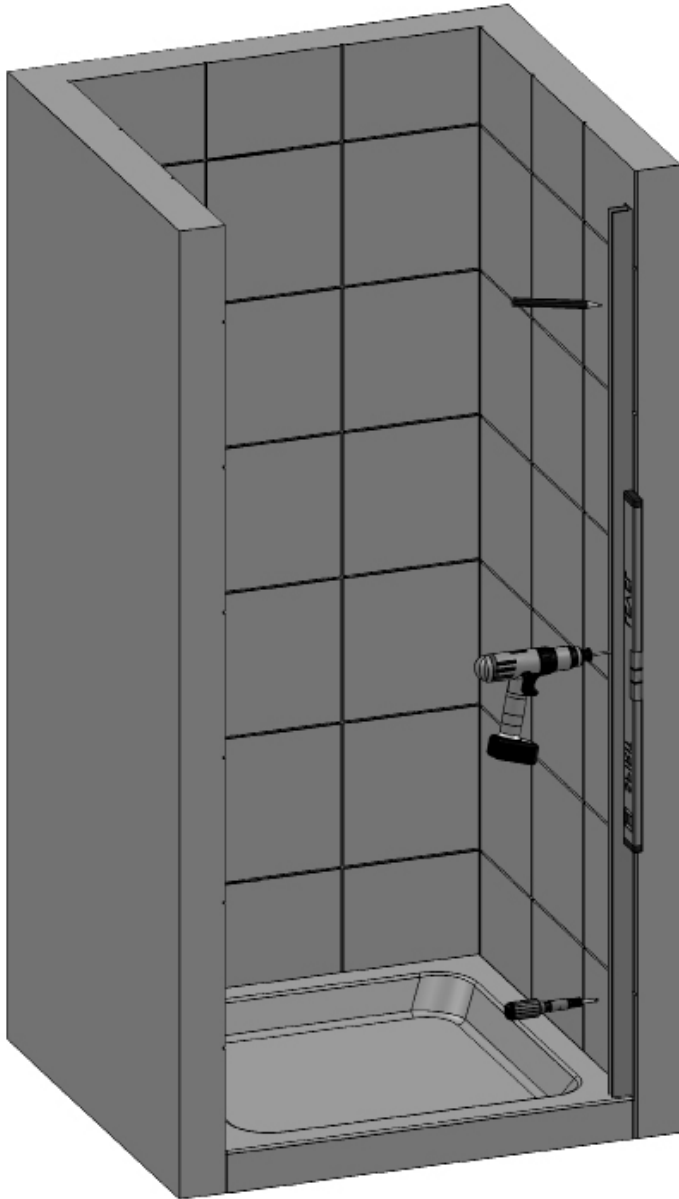
NOTE: This wall profile is to be fitted to the side of the alcove where the fixed panel is to be.



1. On the panel side of the enclosure, set the wall profile 15mm in from the outside of the tray making sure the lip section is on the inside, facing the shower area. Make sure the wall profile is completely vertical using a spirit level and mark the wall through the slots with a pencil.
2. Drill the wall with a 6mm masonry drill bit (not supplied) where the wall profile is to be positioned. Fit the wall plugs supplied (if going in to a brick or block wall). If going into a plasterboard wall you will need to purchase appropriate wall fixings. Wipe clear all debris from the tray before referring to the next stage.
3. Where the wall profile is to be positioned on the tray, place a bead of bathroom sealant (not supplied) the width of the wall profile along the tiled wall. Screw the wall profile to the wall with 40mm screws (supplied). Do not over tighten the screws into the wall profiles as this will misshape the wall profile. Ensure the wall profile stays completely vertical throughout this procedure using a spirit level.
  - **Failure to carry out this procedure correctly can result in serious water damage and is not covered by the guarantee.**
  - **No sealant to be present between the wall profiles and the tiled walls vertically prior to screw fixing.**
4. Seal the gap on the inside between the tray and wall profile with a bathroom sealant (not supplied).
  - **Failure to carry out this procedure correctly can result in serious water damage and is not covered by the Guarantee.**

### Step 3 - Preparing the 2nd Wall Profile

NOTE: This Wall Profile is to be fitted to the side of the alcove where the door opening is to be.

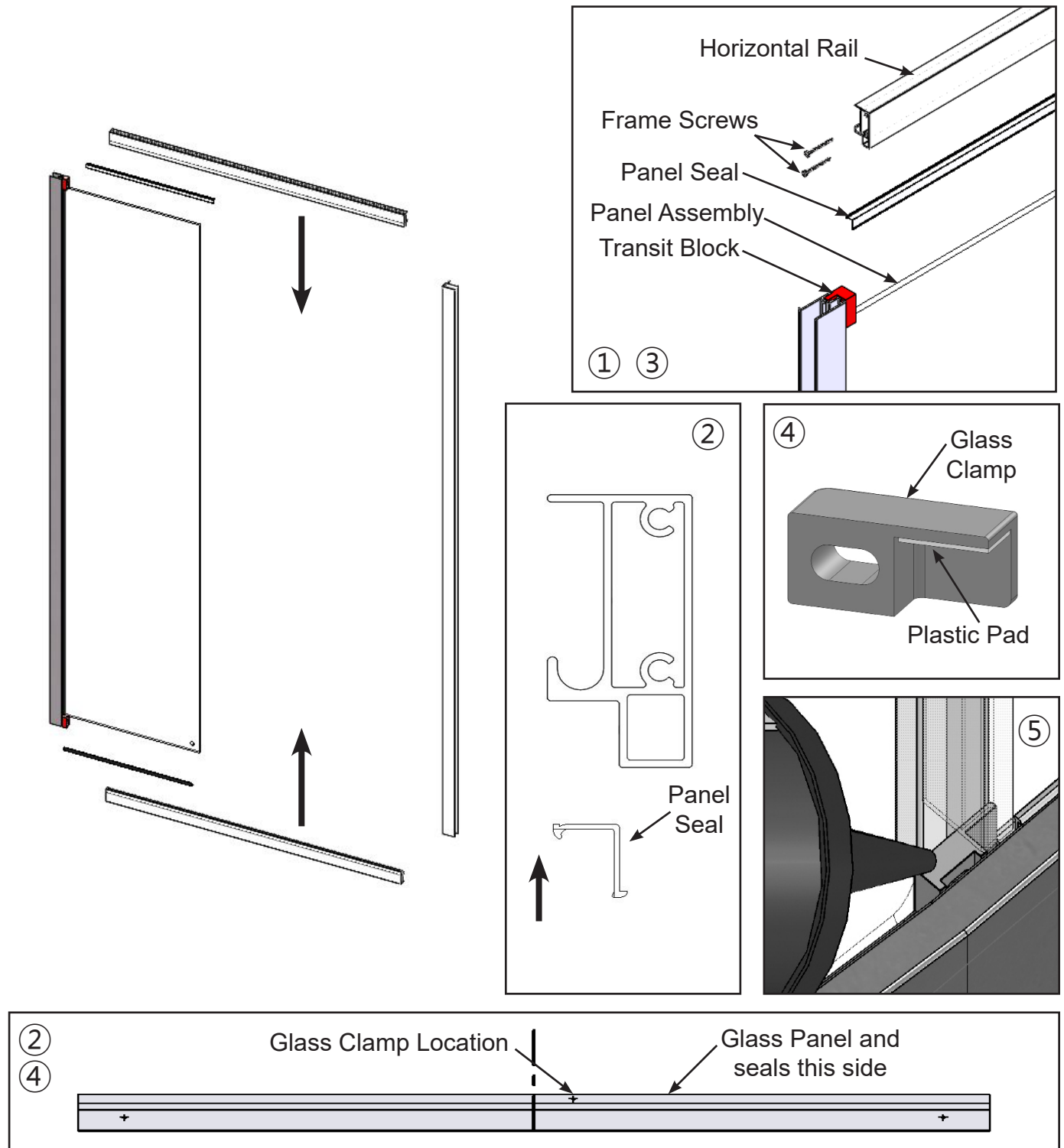


1. On the opposite side, place the other wall profile 15mm in from the outside of the tray so it matches the 1st wall profile, making sure the lip section is on the inside, facing the shower area. Make sure the wall profile is completely vertical using a spirit level and mark the wall through the holes on the lipped section with a pencil.
2. Drill the wall with a 6mm masonry drill bit (not supplied) where the wall profile is to be positioned. Fit the wall plugs supplied (if going in to a brick or block wall). If going into a plasterboard wall you will need to purchase appropriate wall fixings.

- **IMPORTANT: Do not fit the wall profile at this stage, it will be fitted to the wall later in the installation.**

## Step 4 - Assembling the Frame

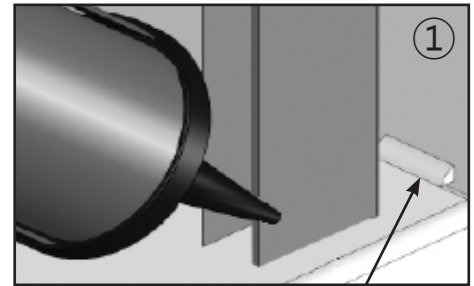
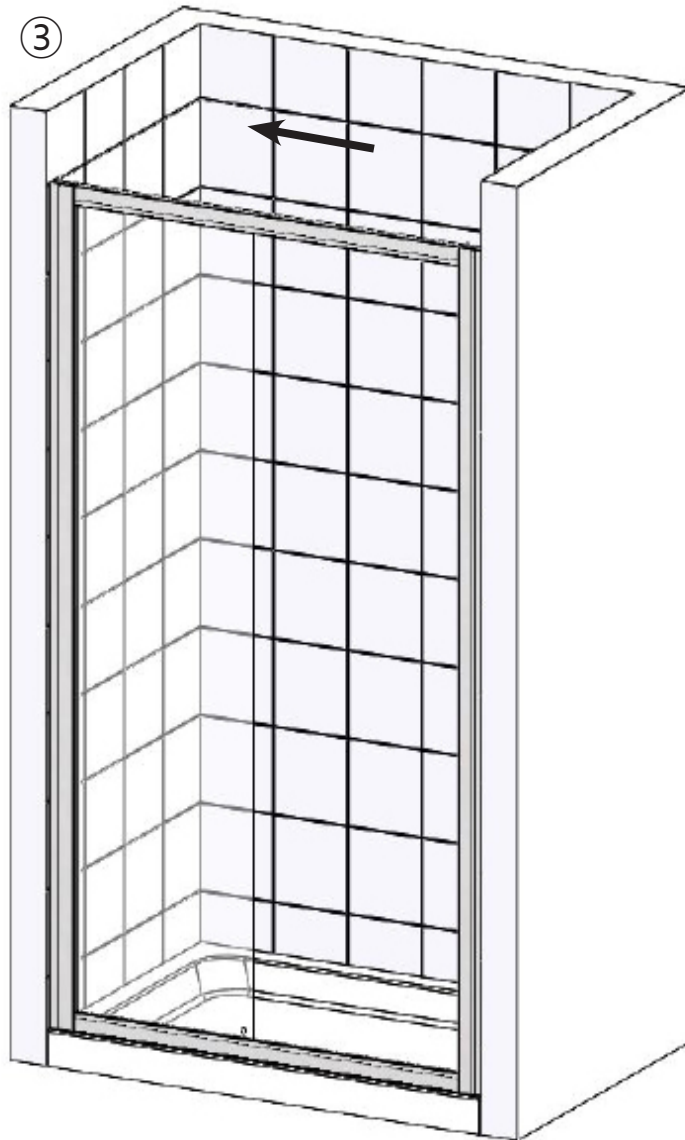
**IMPORTANT:** The Horizontal Rails are handed, to determine which rail goes where look at the screw hole for the glass clamp. This is slightly off centre and should go towards the glass.



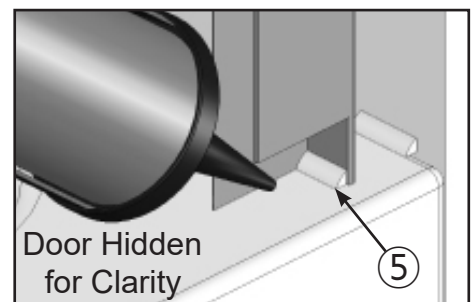
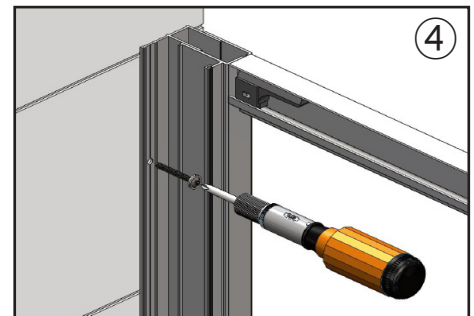
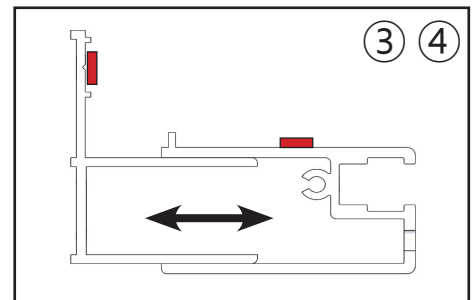
1. Prior to assembling the frame remove both transit blocks from the panel assembly and discard.
2. Place the "L" shaped panel seals between the glass and horizontal rails at both the top and bottom making sure that they butt up fully to the panel assembly vertical.
  - **NOTE: There is a long and short side to the seal, make sure you fit the seal the correct way.**
3. With the Panel seals in position between the glass and Horizontal Rails screw fix the frame together using the screws provided.
  - **IMPORTANT: Use a hand screwdriver in order to NOT over stress the screws.**
4. Screw fit the glass clamps to both Horizontal Rails securing the glass in place ( Note: the glass clamps are handed - left hand shown). Ensure the plastic pad is between the top of the glass and the clamp.
5. Seal the gaps in the glass clamps with silicon sealant to prevent leaking from this area.

## Step 5 - Installing the Frame and Fixing the 2nd Wall Profile

NOTE: The stages below will require 2 people to carry them out. On stage 4 when lifting the Frame to seal the inside of the 2nd wall profile place a wooden chock or similar between the enclosure and the top of the tray to prevent it from falling and causing injury (carefully remove when done).



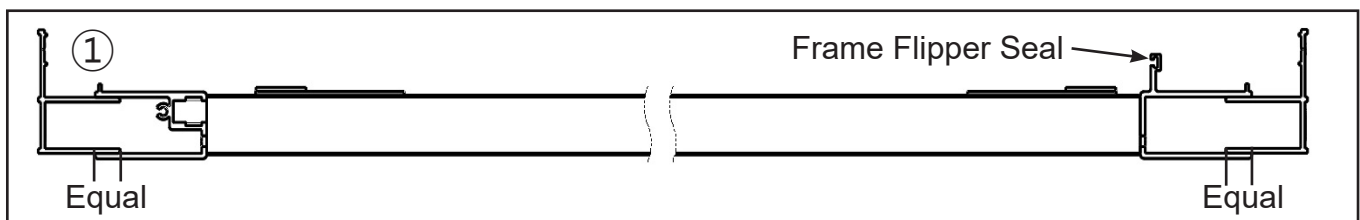
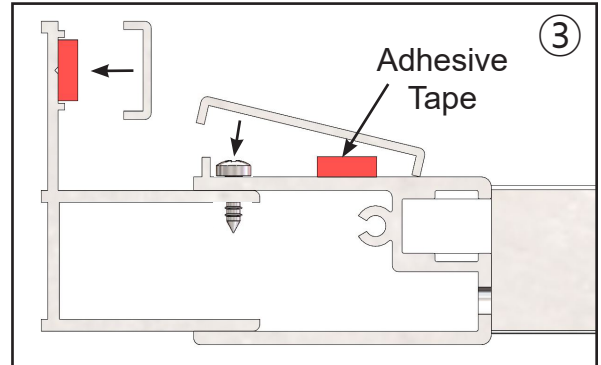
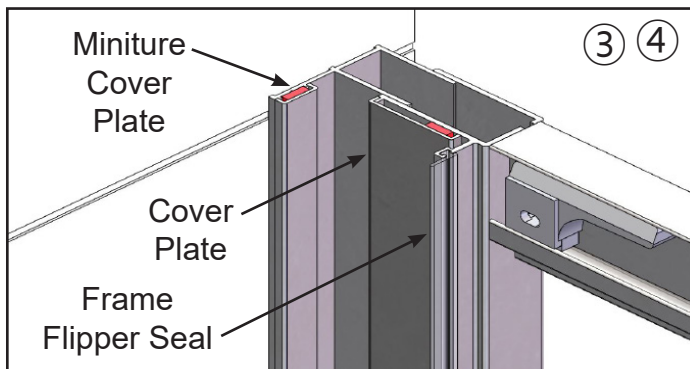
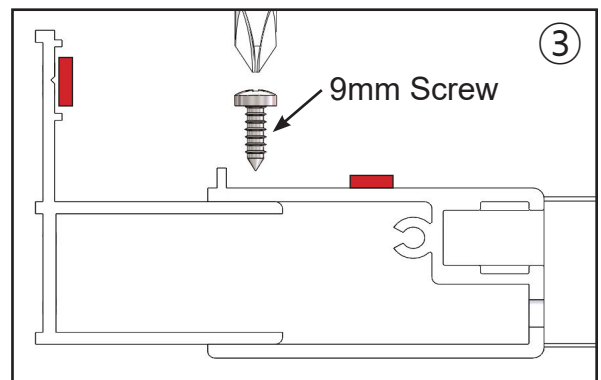
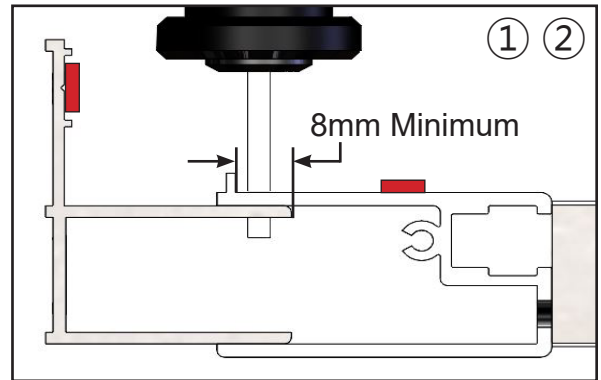
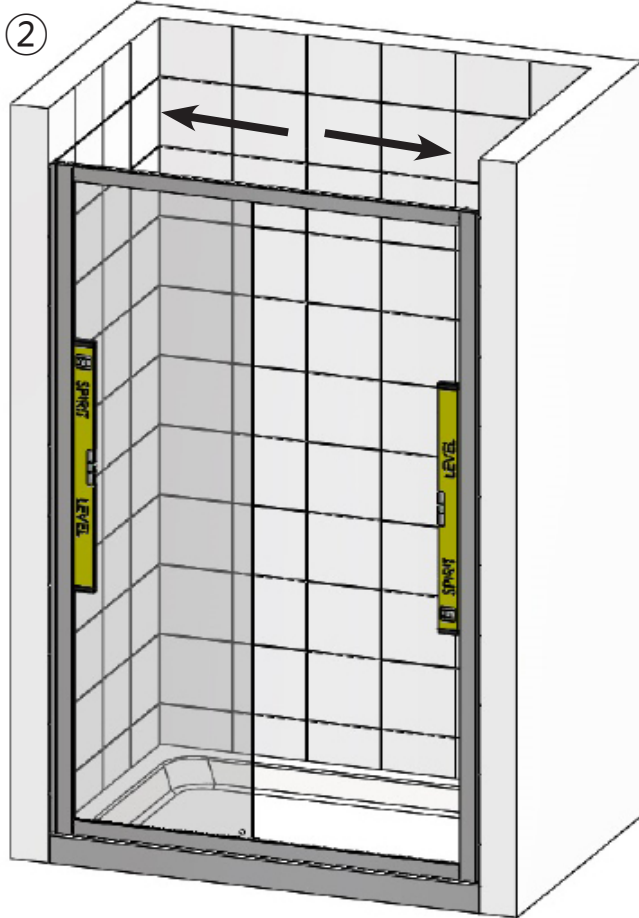
Width of the wall profile



1. Prior to fixing the 2nd wall profile apply a bead of bathroom sealant (not supplied) the width of the wall profile where it meets the tiled wall and tray at the bottom.
2. Place the 2nd wall profile over the other end of the frame as far in as it will go.
3. Carefully place the frame over the already fitted wall profile (in step 2) and push fully together.
  - **NOTE: The wall profile fits inside the frame vertical aluminum.**
  - **NOTE: Ensure that the panel end of the enclosure is fitted to your 1st wall profile.**
4. Push the 2nd wall profile (door opening end) back into the wall. take the 40mm screws and screw through the wall profile lip and into the wall plugs fitted in step 3.
5. Carefully lift the frame and seal the gap on the inside between the tray and wall profile with a bathroom sealant (not supplied)
  - **IMPORTANT: Failure to carry out stages 1 and 5 can result in serious water damage and is not covered under the terms of the guarantee.**
  - **The wall profiles must be completely vertical (the bubble on the spirit level must be in the centre of the 2 lines).**

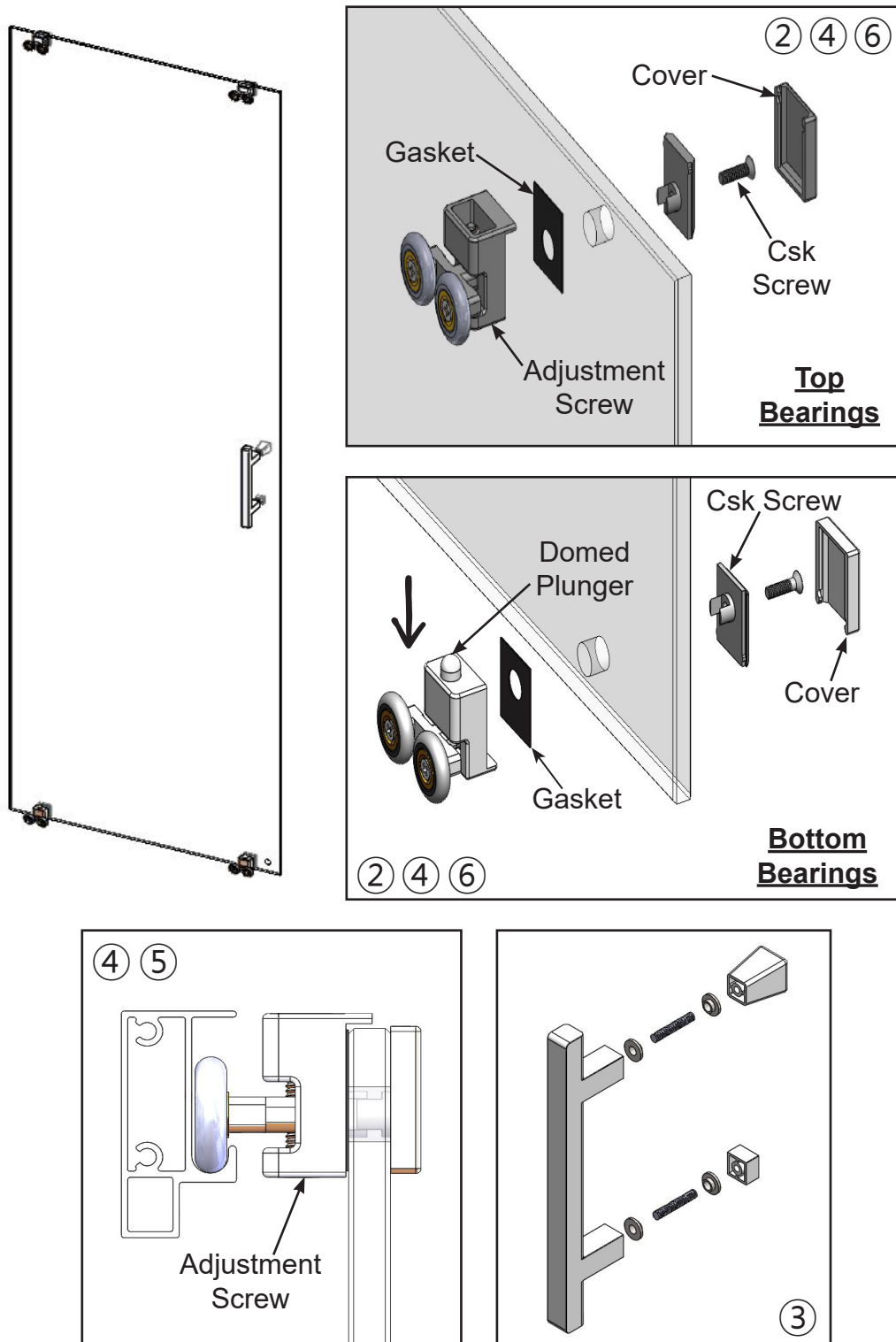
## Step 6 - Fixing the Frame to the Wall Profiles

NOTE: The stages below will require 2 people to carry them out.



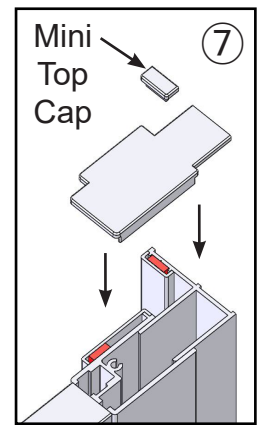
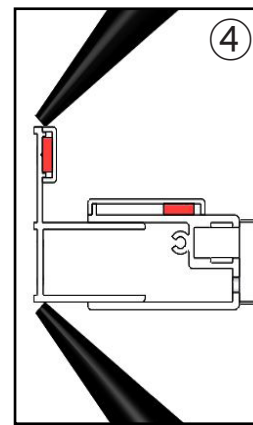
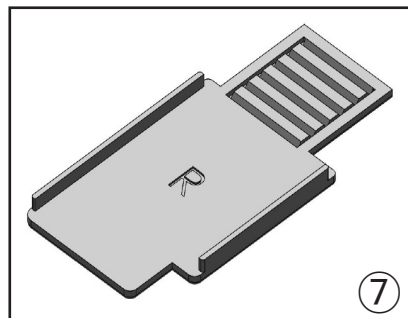
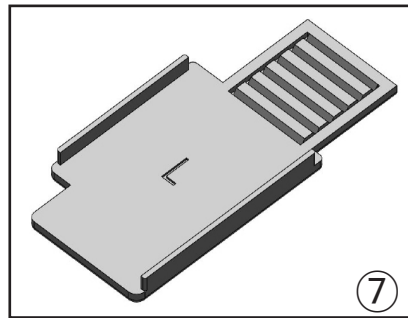
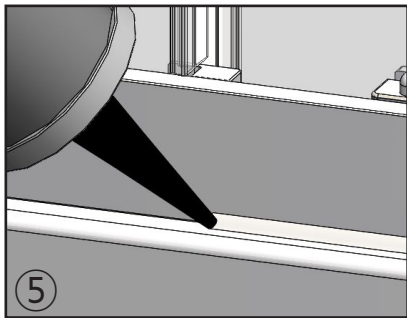
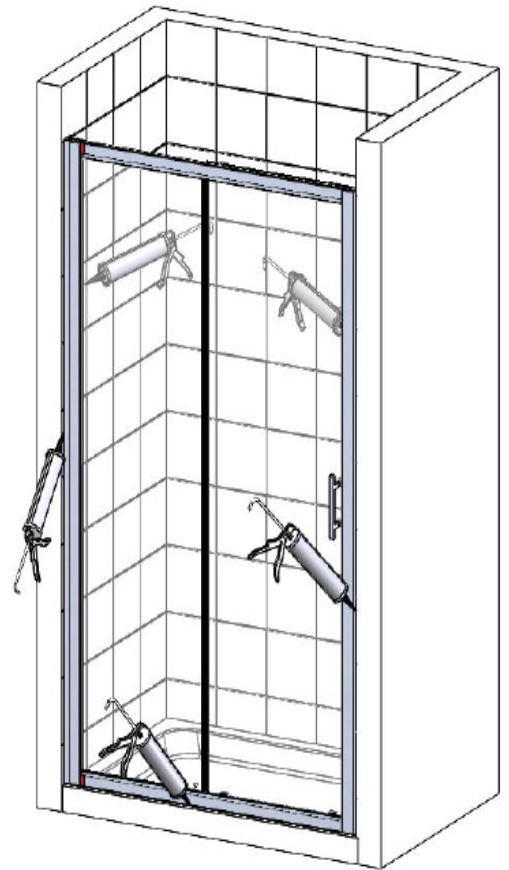
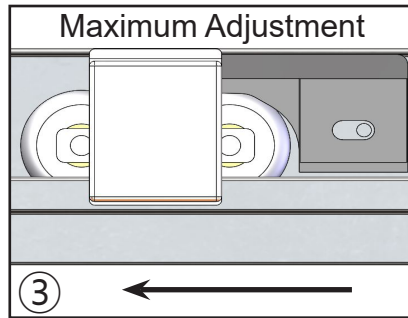
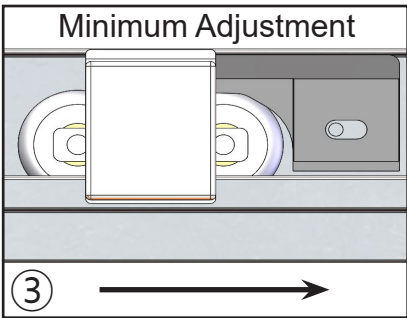
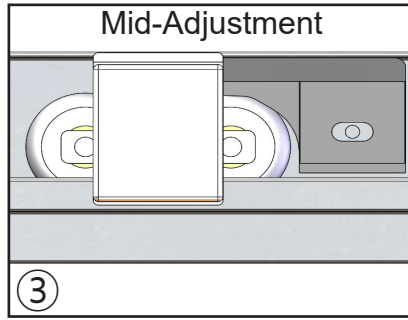
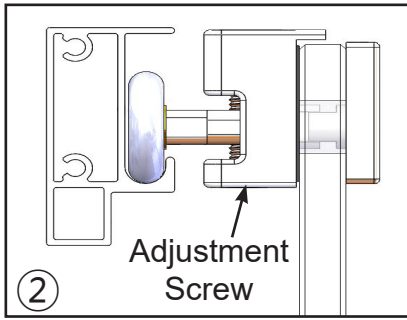
1. Centralise the frame between the wall profiles.
  - **IMPORTANT: There must be a minimum of 8mm for fixing.**
2. With a spirit level, keep the framework completely vertical then drill 3 holes in each frame vertical profile approximately 100mm from the top and bottom and one in the centre into the wall profiles with the 2.5mm drill supplied.
  - **Ensure the frame is completely vertical (Spirit level bubble must be in the centre of the 2 lines).**
3. Take the 9mm screws and screw the frame to the wall profiles, when all screws are fitted, peel off the film of the adhesive tape and push on the vertical aluminum cover plates as well as the miniture cover plates for the wall profile to cover the wall fixing screws.
4. Slide the frame flipper seal into the frame vertical, trim to length if required.

## Step 7 - Fitting the Door



1. Place the door glass onto a level scratch free surface.
2. Carefully dismantle the bearing assemblies, place the gasket on the outside of the glass (bearing side) then re-assemble onto the door glass. Make sure you have the correct bearings at the top and bottom and that the wheels are on the outside of the glass. (leave the inner bearing covers off till later)
  - **IMPORTANT: Fit the bearing assemblies to the door using a hand screwdriver only (Do NOT use a Drill).**
  - **NOTE: The bottom bearings have a domed plunger.**
3. Dismantle the handle and reverse fit onto the door glass.
4. Carefully place the assembled door inside the tray. With the door the correct way round offer the top bearings into the top horizontal rail, when in position lower the door and press the plungers down on the bottom bearing assemblies so that the door can be placed into the bottom horizontal rail.
  - **NOTE: When fitting to the top offering the door at a slight angle will make it easier to fit into the rail.**
5. There is a screw in the top bearings for adjustment purposes, adjust as necessary to align the door.
6. When satisfied with the fitting of the door fit the inner bearing covers.

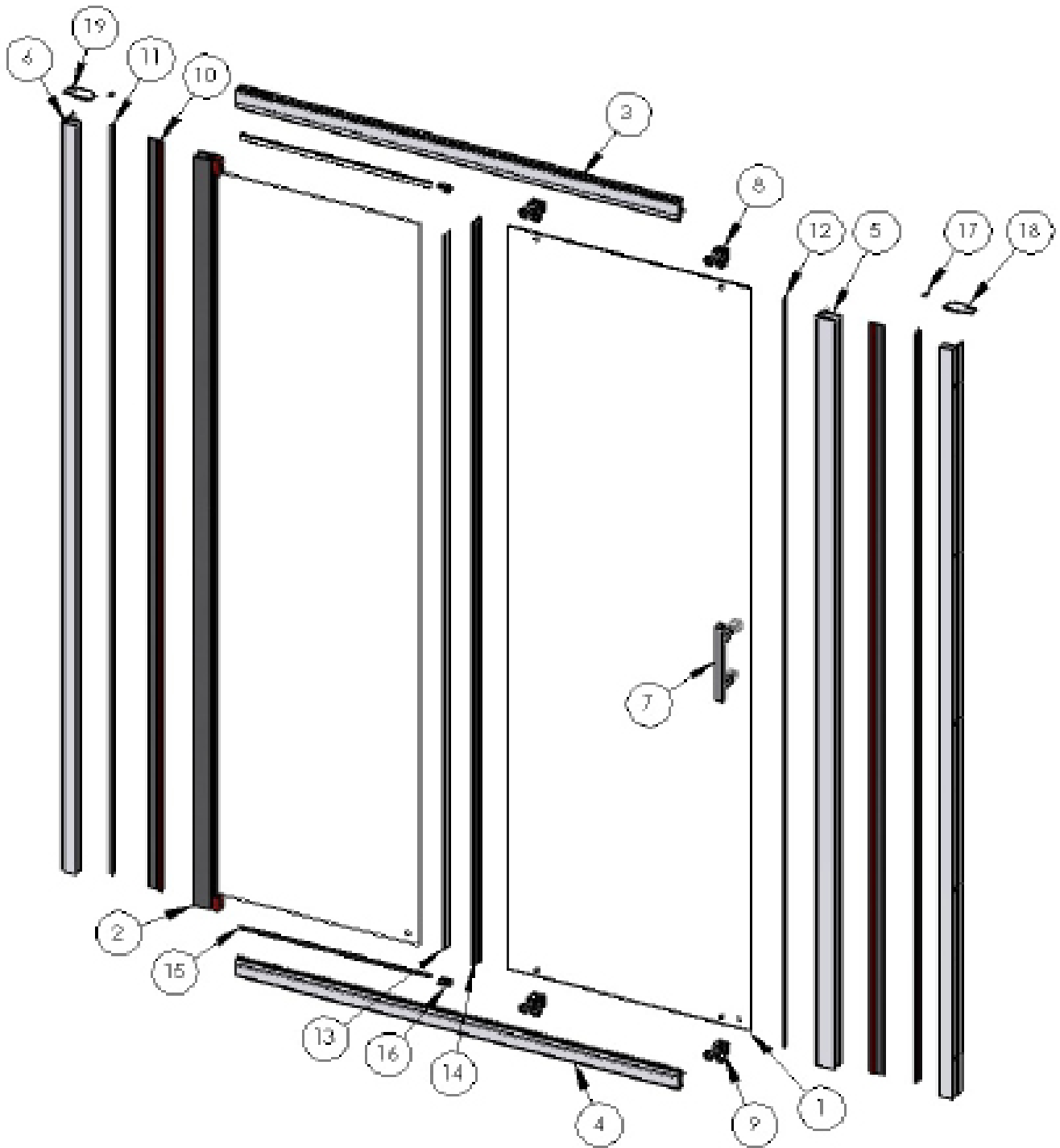
## Step 8 - Door Adjustment and Sealing



1. Close the door, checking that the seals meet and that the door is running smoothly. The door seal can be pulled away from the glass slightly to help with the door closure.
2. The door can be adjusted by turning the screws on the top bearing assemblies using a screwdriver. Turn the screws up or down until you are satisfied with the door.
3. With the door adjusted, if necessary, adjust the pre-fitted door stops so they just make contact with the wheel of the bearing when open, this is to prevent excessive movement and rocking. The door stops can be moved left-to-right so that the wheel contacts it between its min and max adjustment (see diagrams).
  - **IMPORTANT: Adjust the door stops top and bottom, failure to do so may result in breakages.**
4. Using a good quality sealant, seal both sides of the wall profiles vertically inside and outside where they meet the tiled walls.
5. Fully seal the bottom horizontal rail to the top of the tray on the outside only from wall to wall.
6. Fully seal horizontally between the top of the bottom horizontal rail and the panels glass on the outside.
  - **IMPORTANT: Failure to carry out stages 4, 5 and 6 may result in serious water damage and is not covered under the terms of the guarantee.**
  - **DO NOT seal the base of the product to the inside, failure to comply may result in the product leaking.**
7. Fit the top caps, these can be shortened to fit by snapping off at the relevant groove. Apply a small amount of silicon to the underside to help keep in place.
8. Fit the door and panel flipper seals onto the edge of the glass, trim to length if required.
9. Please allow 24 hours for the sealant to cure prior to using the enclosure.
10. Place the branding badge in a prominent position on a none moving part of aluminium.

## Spare Parts

If you need to replace any damaged parts please see illustration below for parts list then call Customer Relations on 01325 328033



Part No.	Description	Q'ty	Part No.	Description	Q'ty	Part No.	Description	Q'ty
1	Door Glass	1	11	Wall Profile Cover Plate	2			
2	Panel Assembly	1	12	Aluminum Flipper Seal	1			
3	Top Rail	1	13	Panel Vertical Seal	1			
4	Bottom Rail	1	14	Door Vertical Seal	1			
5	Seal Carrier Aluminum	1	15	Panel Horizontal Seal	2			
6	Wall Profiles	2	16	Glass Panel Clips (LH+RH)	2			
7	Door Handle	1	17	Miniture Top Cap	2			
8	Top Bearings	2	18	RH Top Cap	1			
9	Bottom Bearings	2	19	LH Top Cap	1			
10	Cover Plate	2						

## TROUBLE SHOOTING GUIDE

Problem	Solution
<b>Leaking</b>	<ol style="list-style-type: none"><li>1. Check the tray is sealed correctly along the tiled walls prior to installation.</li><li>2. Check that the inside gap between the tray and wall profiles has been sealed correctly.</li><li>3. Check the base of the enclosure is sealed on the outside only.</li><li>4. Check that a bead of sealant the width of the wall profile has been applied.</li><li>5. Check the wall profiles on the tiled walls are sealed both vertically inside and outside.</li><li>6. Check all the seals have been cut and positioned correctly.</li><li>7. Fit the longer frame flipper seal.</li></ol> <ul style="list-style-type: none"><li>• <b>Important: This enclosure should be water tested conforming to BS EN 14428</b></li></ul>
<b>Enclosure Alignment on the Tray or Floor</b>	<ol style="list-style-type: none"><li>1. Check the enclosure has been fitted onto a tiled wall or similar sealed surface.</li><li>2. Check that the wall profiles are fitted 15mm in from the front of the tray.</li><li>3. Check the wall profiles are completely vertical.</li><li>4. Check that the enclosure is completely level and vertical.</li></ol> <ul style="list-style-type: none"><li>• <b>The bubble on the spirit level must be in the centre of the 2 lines.</b></li></ul>
<b>Door not operating / closing correctly</b>	<ol style="list-style-type: none"><li>1. Check the tray is completely level, this could have an effect on the positioning of the door when adjusted. You may not have enough adjustment within the wall profile due to compensating for an out of level tray.</li><li>2. Check the wall profiles are completely vertical.</li><li>3. Check the channels that the door slides in has some lubrication gel / silicone grease in it ( If not please apply some form of lubricating agent in the channels).</li><li>4. If the door does not hang vertically you have adjustment at the top of each wheel bearing assembly, turning the screws clockwise will lift the door likewise, anticlockwise lowers the door.</li><li>5. Rotate the Door Stops to prevent rocking.</li></ol>

### Some important information to help you Maintain your product.

The following information is all you need to keep your product looking new.

Clean your product using a mild detergent diluted in water and then polished off using a soft cloth.

If you live in a hard water area, periodically clean your product using a 50/50 solution of white vinegar and water. The solution should be left on the enclosure for approximately 5 minutes then rinsed off using warm water. This method of cleaning should remove lime scale residue.

### Simple Maintenance

Our products are generally maintenance free, however it may be necessary to lubricate wheel assemblies and other moving parts from time to time.

It is strongly recommended that a quality silicone spray is used.

### A list of Don't's:

1. Don't use acidic based products which are unsuitable for cleaning enamel surfaces.
2. Don't use abrasive cleaners or cleaners using bleach or solvents, these products will adversely affect the finish of the aluminium profiles.
3. Don't use scouring pads, powder or any sharp instruments when cleaning the enclosure.

Should you experience any problems during installation please refer to the Trouble Shooting Guide or contact Customer Relations on:

**+44 (0) 1325 328033**

To enable customer relations to provide you with an excellent level of service it is important that you quote your product Code and Reference Number - these can be found on the Guarantee card.