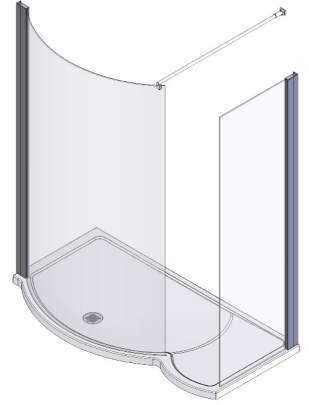
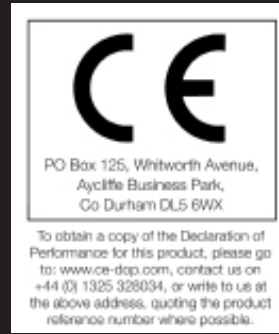


# Colossus

## Instruction Manual

V8C / V8CG  
V8CGR / V8CGM



### IMPORTANT INFORMATION

Be aware toughened glass can shatter if not handled correctly. It should not be subjected to any sharp impact and it is essential to protect the glass by resting it on a soft protective surface during installation such as cardboard or carpeting. It is recommended to wear PPE at all times during installation.

UK  
CA



#### PRE-INSTALLATION CHECKS

1. Check you have the correct product. Please look at the labels on the side of the product packaging.
2. Check all the product components are in the box and the fixing kits.
3. Unpack your product and handle it with care.
4. Please check the product for defects or damage, once the installation has commenced we cannot accept responsibility for any defects or damage.
5. Please take time to read these instructions prior to installing your product.
6. Before you commence any drilling check there are no hidden electrical cables and/or water pipes.
7. No attempt should be made to re-work the toughened safety glass.
8. The installation of the product should be performed by two persons.
9. It is strongly recommended that the walls the product is going to be installed on are vertical.
10. It is strongly recommended the product is fitted on a tiled surface or similar waterproof surface.
11. It is strongly recommended the walls are tiled and grouted before the product is installed.
12. If the walls and/or the tray are not level you will not achieve maximum adjustment of the product.
13. Pictures used are for illustration purposes only, product designs may alter slightly as a result of continuing product development.
14. We do not stipulate where the European Standard Kite Mark should be positioned on the glass when being factory assembled.
15. Please note that some natural misting may occur when you remove this product from its packaging, due to the addition of the glass protection pre-coating. If this does occur this can easily be removed with a soft, dry cloth.

#### Component Check List: Supplied

Description	V8C (Qty)	V8CG (Qty)	V8CGR (Qty)	V8CGM (Qty)
Curved Panel	1	1	1	1
Glass Panel 1	N/A	1	1	N/A
Glass Panel 2	N/A	N/A	1	1
Wall Profiles	1	2	2	1
Brace Bar Assembly	1	1	1	1

#### Fixing Kit Components

Description	V8C (Qty)	V8CG (Qty)	V8CGR (Qty)	V8CGM (Qty)
40mm Screws	3	6	6	3
Wall Plugs	5	8	8	5
2.5mm Drill Bit	1	1	1	1
9mm Screws	3	6	9	6
Screw Bases	3	6	9	6
Screw Covers	3	6	9	6
Universal Top Caps	1	2	3	2
Side Panel Cap	N/A	N/A	1	1
Branding Badge (if applicable)	1	1	1	1

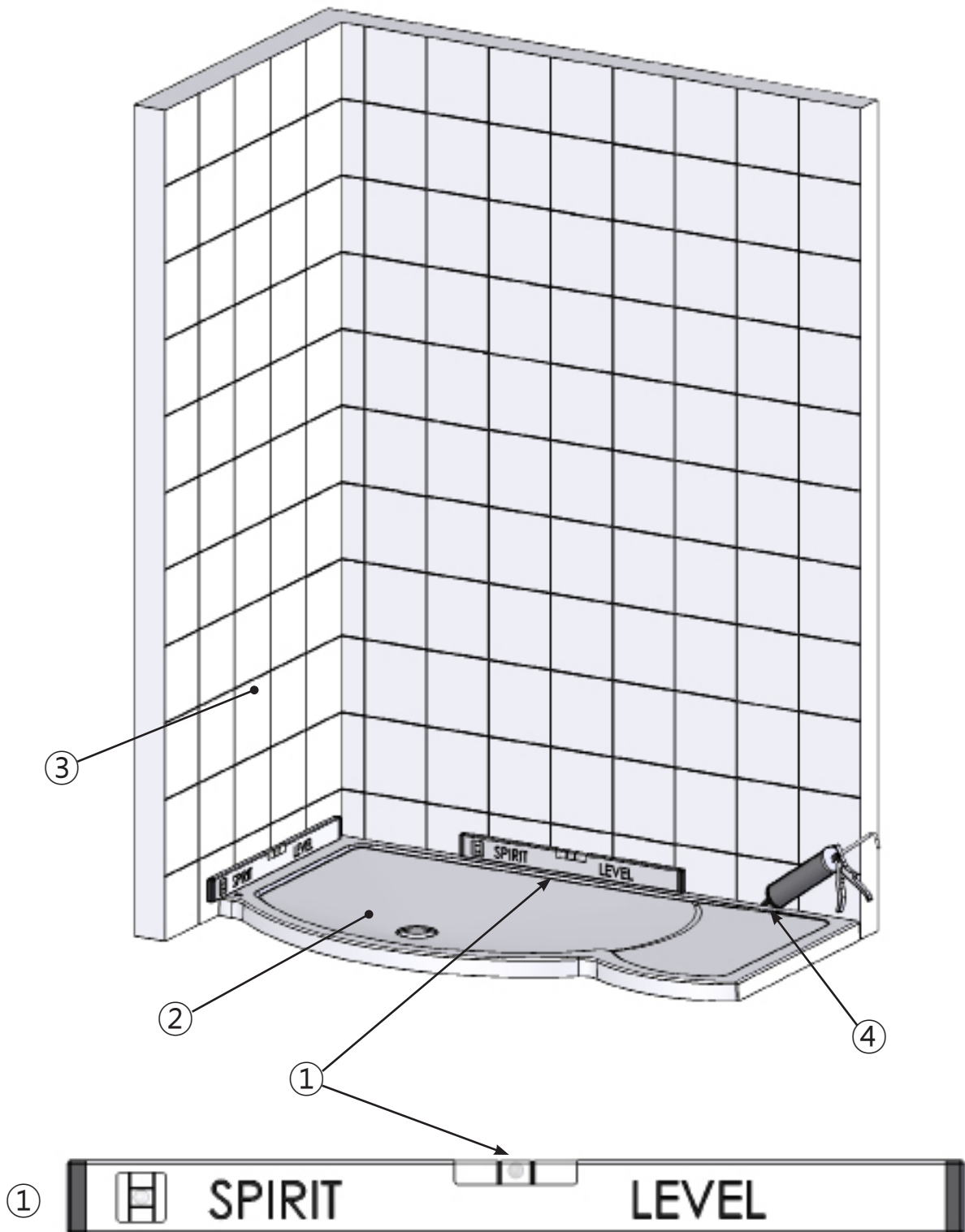
#### Equipment Check List: Not Supplied

Description
Electric / Battery Drill
6mm Masonry Drill Bit
Sealant Gun
Bathroom Sealant
Pozi Screwdriver
Flat Screwdriver
Spirit Level
Tape Measure
Pencil
4.5mm Drill Bit
Wall Fixings (if going into Plasterboard etc.)

### CONSUMER GUARANTEE

Please make sure the purchaser/end user completes and returns the guarantee card which is enclosed with this product. Failure to validate the Guarantee will mean only the 1 Year Statutory Guarantee will apply.

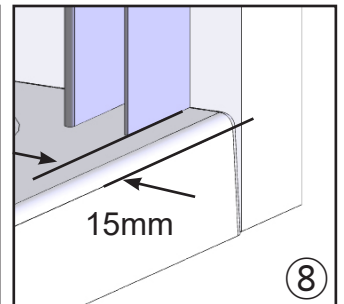
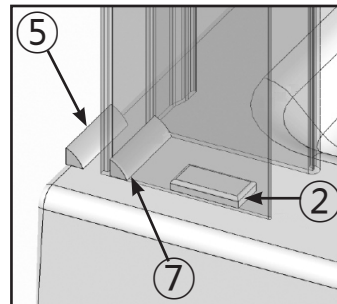
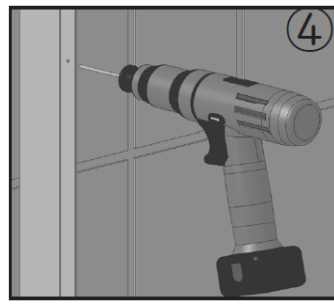
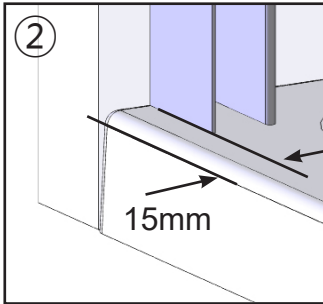
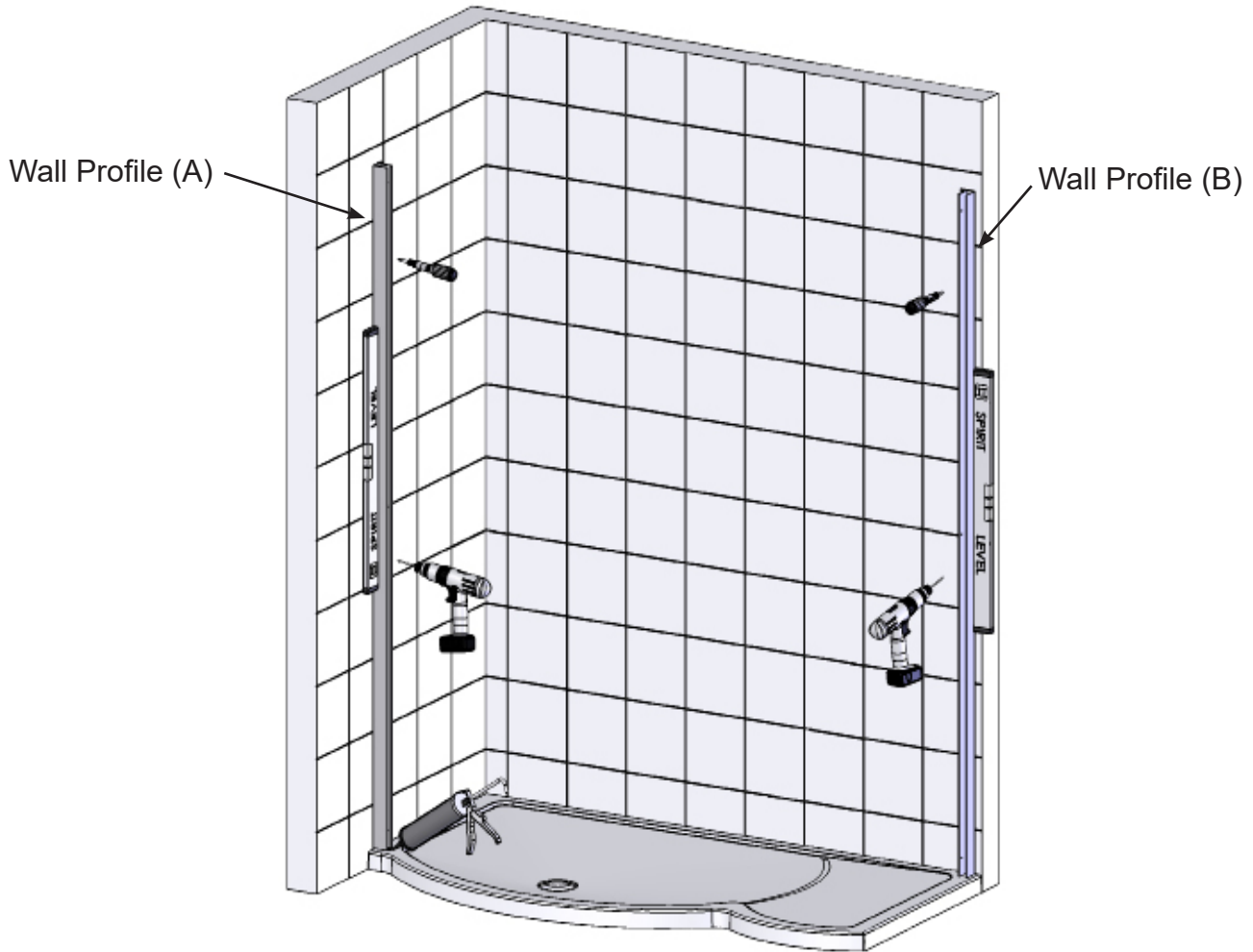
## Step 1 - Checking the Tray



1. Check the tray is level on all sides (the bubble should be in the centre of the two lines on the Spirit Level).
  2. Stand in the tray and check there is no adverse movement.
  3. The walls should be tiled and grouted prior to installing the enclosure.
  4. The tiles and the tray should be fully sealed using a good quality bathroom sealant.
- **Spray the seal and joints with the shower head to check for leaks.**
  - **Check the plumbing for leaks.**
  - **Do not grout the tiles after the enclosure is fitted as the grout may discolour the aluminium profiles.**
  - **Make sure the tray is installed as per the manufacturers' instructions.**
  - **When all the above criteria is complete please proceed to the next step in these instructions.**

## Step 2 - Fitting the Wall Profiles (V8C or V8CG)

NOTE: Wall Profile (B) is used only with the V8CG product ( See procedure 8 below).



1. Drill three 4.5mm holes in the “U” section of the Wall Profile approximately 100mm from each end and the other in the centre.
2. Place the Wall Profile (A) 15mm in from the front of the tray (the lip must face into the shower).
3. Position Wall Profile (A) vertically using a Spirit Level and mark the wall using a pencil for the fixing holes.
  - **The wall profile must be perfectly level, the bubble must be in the centre of the two lines.**
4. Drill the holes using a 6mm masonry drill bit (not supplied) and push fit the Wall Plugs.
  - **Use the supplied Wall Plugs if fixing to brick or block work. If fixing to plaster board etc. then you will need to purchase alternative Wall Plugs.**
5. Remove any debris and apply a bead of sealant the width of Wall Profile (A) at the bottom where it meets the tiles and tray.
6. Fix Wall Profile (A) using the 40mm screws (supplied), don't overtighten as this will distort the Wall Profile.
7. Apply a bead of sealant to the inside of Wall Profile (A) where it meets the tray.
8. Follow stages 1 to 7 for fitting Wall Profile (B).

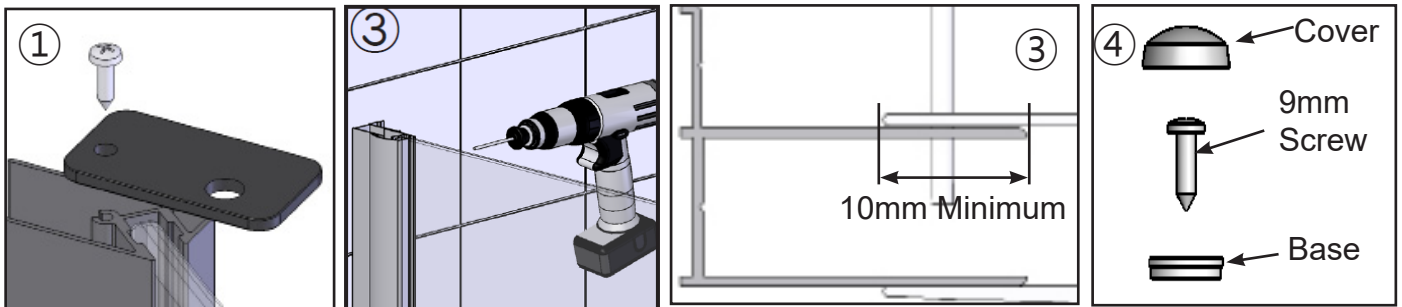
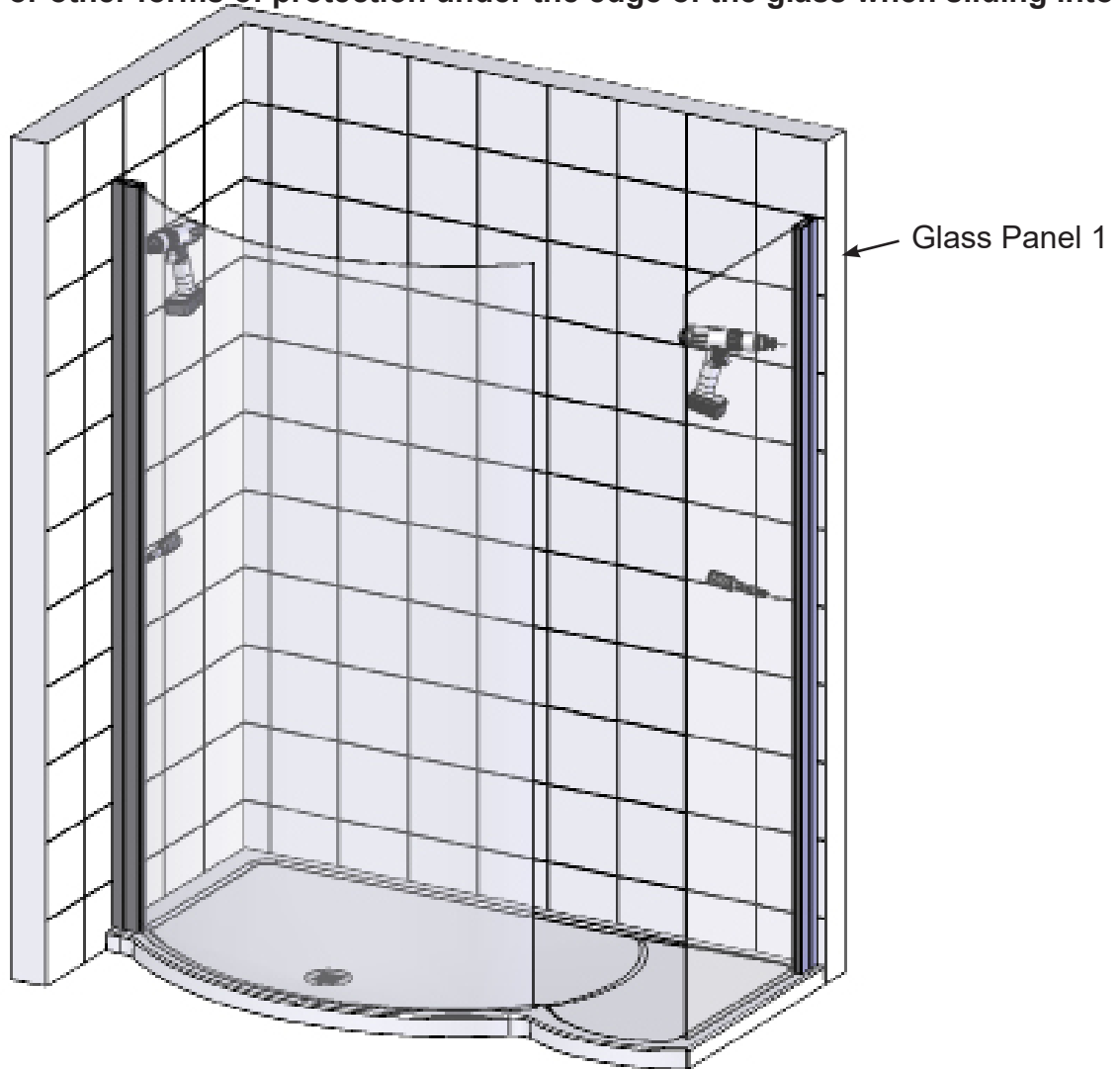
**IMPORTANT:** Failure to carry out stages 5 and 7 when fitting the Wall Profiles can result in serious water damage and is not covered by the guarantee.

**INFORMATION:** If fitting straight to floor see the guidance pages at the back of these instructions.

### Step 3 - Curved Panel and Glass Panel 1 (V8C or V8CG)

**Note:** Carefully remove the transport bands from the glass panels before commencing this step.

**WARNING:** In order to protect your shower enclosure during installation it is important to ensure the edgework of the glass is not vulnerable to any impact. Toughened glass can, in certain circumstances, break if it receives an impact on its edgework. Please ensure you place heavy card or other forms of protection under the edge of the glass when sliding into the framework



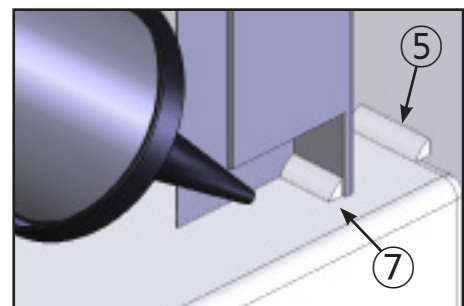
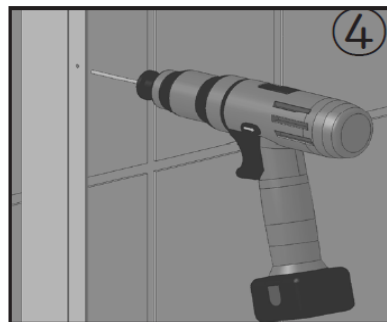
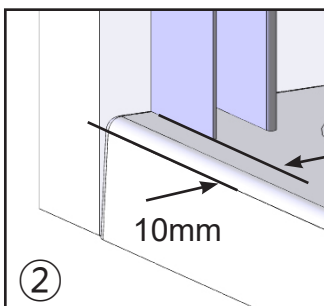
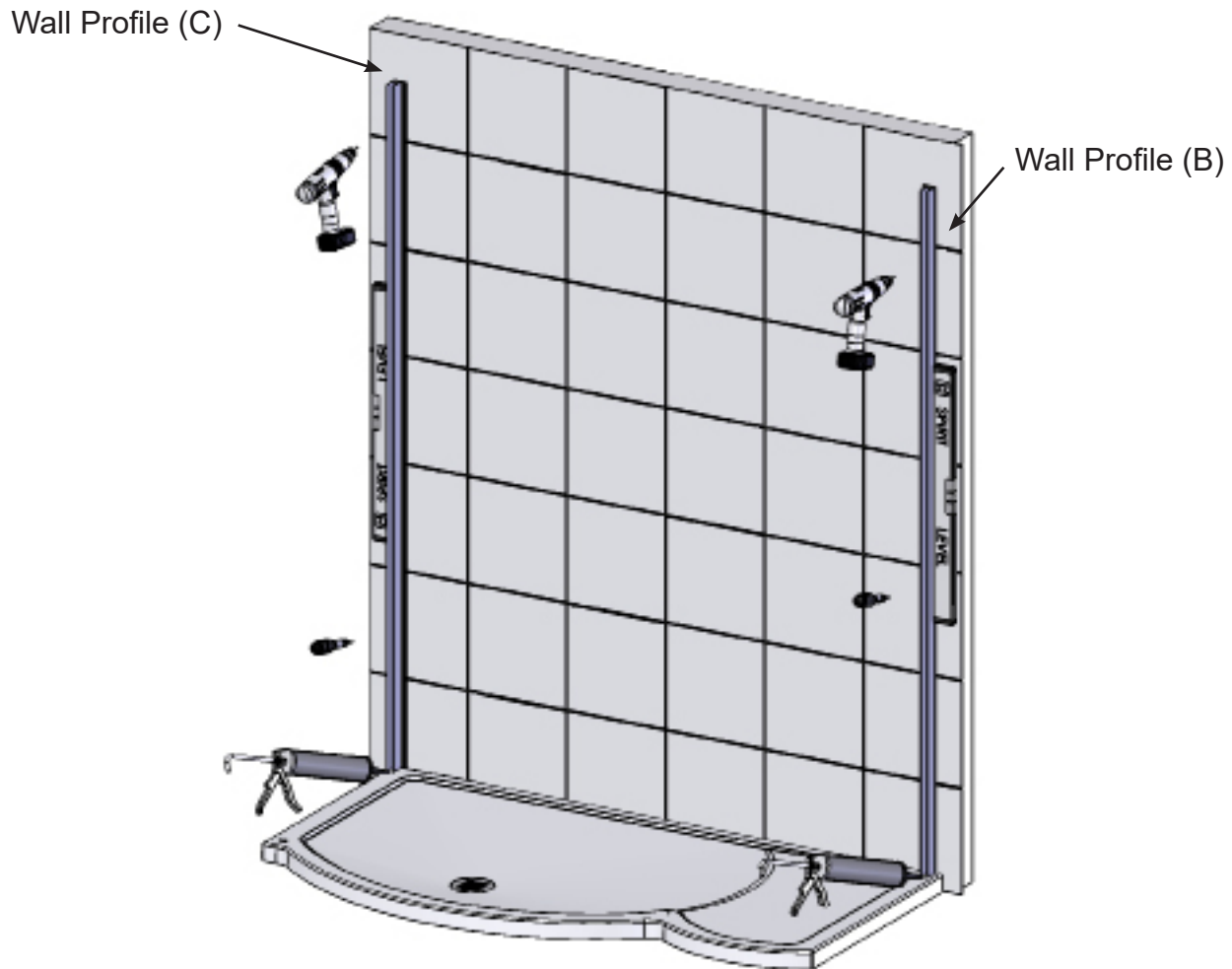
1. Remove the Red Transit Caps from each end of the Curved Panel and Glass Panel 1 (If applicable).
2. Place the Curved Panel over Wall Profile (A) and make sure the glass is concentric to the front of the tray.
3. Ensure the Curved Panel is vertical then drill 3 holes through the Panel Vertical and into the Wall Profile approximately 100mm from the top and bottom and the other in the centre with the 2.5mm drill (supplied).  
**NOTE: There must be a minimum of 10mm left for fixing.**
4. Place the bases onto the 9mm screws and fix the Panel to the Wall Profile, push on the Screw Cover caps.
5. Follow Stages 2 to 4 for fitting the Glass Panel 1 (V8CG product only).

**IMPORTANT:** You may need help with holding the Panel / Panels in place while drilling and fixing.

**INFORMATION:** If fitting straight to floor see the Floor Guidance page at the back of these instructions.

## Step 4 - Fitting the Wall Profiles (V8CGR2 or V8CGM2)

Note: Wall Profile (C) is used on V8CGR / V8CGM products. Fit Wall Profile (B) as per Step 2..



1. Drill three 4.5mm holes in the "U" section of the Wall Profiles approximately 100mm from each end and the other in the centre.
2. Position Wall Profiles (C) 10mm in from the outside of the tray (the lip must face into the shower).
3. Place both Wall Profiles vertically using a Spirit Level and mark the wall using a pencil for the fixing holes.
  - **The wall profiles must be perfectly level, the bubble must be in the centre of the two lines.**
4. Drill the holes using a 6mm masonry drill bit (not supplied) and push fit the Wall Plugs.
  - **Use the supplied Wall Plugs if fixing to brick or block work. If fixing to plaster board etc. then you will need to purchase alternative Wall Plugs.**
5. Remove any debris and apply a bead of sealant the width of the Wall Profiles (B and C) at the bottom where they meet the tiles and tray.
6. Fix the Wall Profiles using the 40mm screws (supplied), don't overtighten as this will distort the Wall Profile.
7. Apply a bead of sealant to the inside of both Wall Profiles where they meet the tray.

**IMPORTANT:** Failure to carry out stages 5 and 7 when fitting the Wall Profiles can result in serious water damage and is not covered by the guarantee.

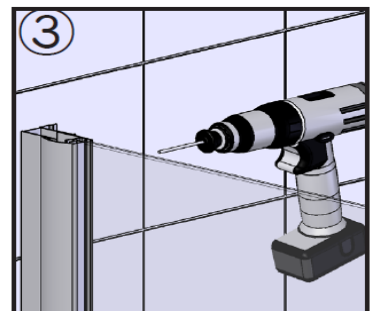
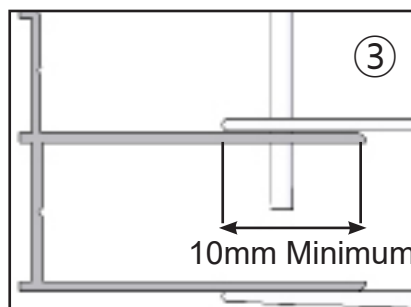
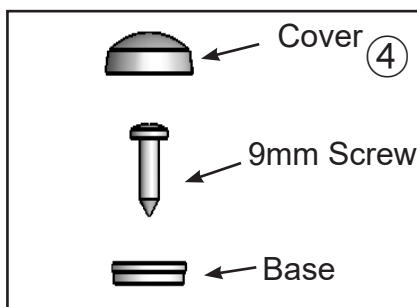
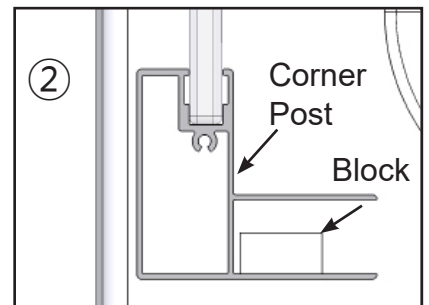
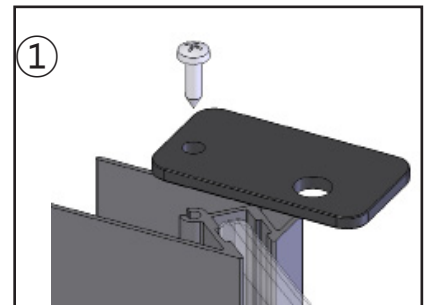
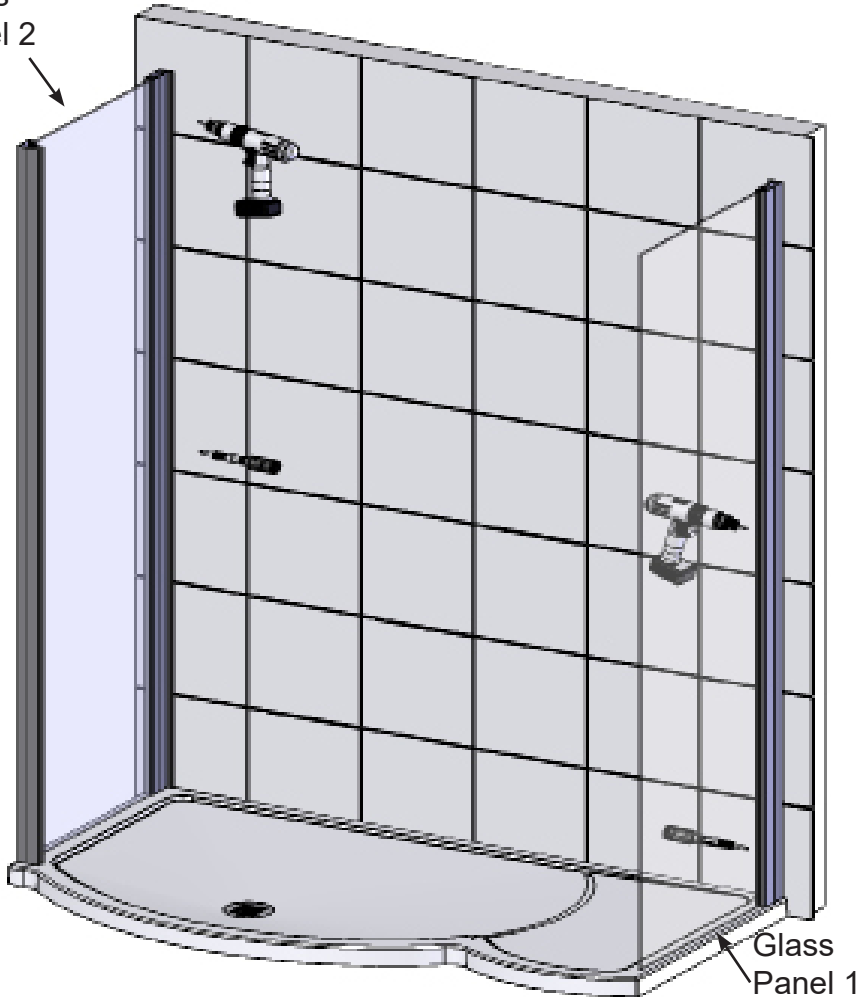
**INFORMATION:** If fitting straight to floor see the guidance pages at the back of these instructions.

## Step 5 - Glass Panel 2 (V8CGR or V8CGM)

**Note:** Carefully remove the transport bands from the glass panels before commencing this step.

**WARNING:** In order to protect your shower enclosure during installation it is important to ensure the edgework of the glass is not vulnerable to any impact. Toughened glass can, in certain circumstances, break if it receives an impact on its edgework. Please ensure you place heavy card or other forms of protection under the edge of the glass when sliding into the framework

Glass  
Panel 2



1. Remove the Red Transit Caps from each end of Glass Panel 2.
2. Place Glass Panel 2 over Wall Profile (C), position the Corner Post so that the inside butts up to the guide block on the tray.
3. Ensure Glass Panel 2 is vertical then drill 3 holes through the Panel Vertical and into the Wall Profile approximately 100mm from the top and bottom and the other in the centre with the 2.5mm drill (supplied).  
**NOTE: There must be a minimum of 10mm left for fixing.**
4. Place the bases onto the 9mm screws and fix the Panel to the Wall Profile, push on the Screw Cover caps.
5. Go to Step 3 for fitting Glass Panel 1.

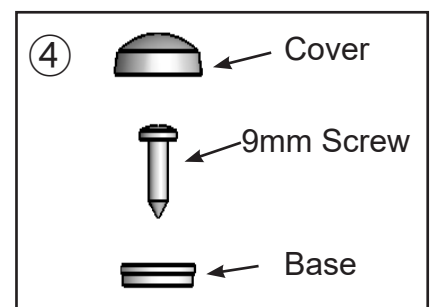
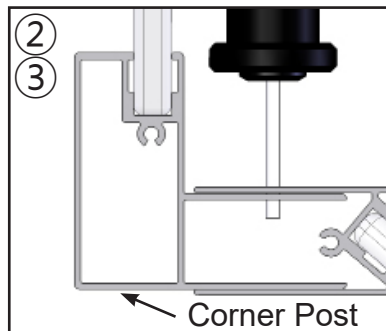
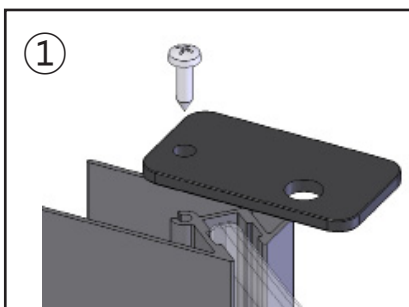
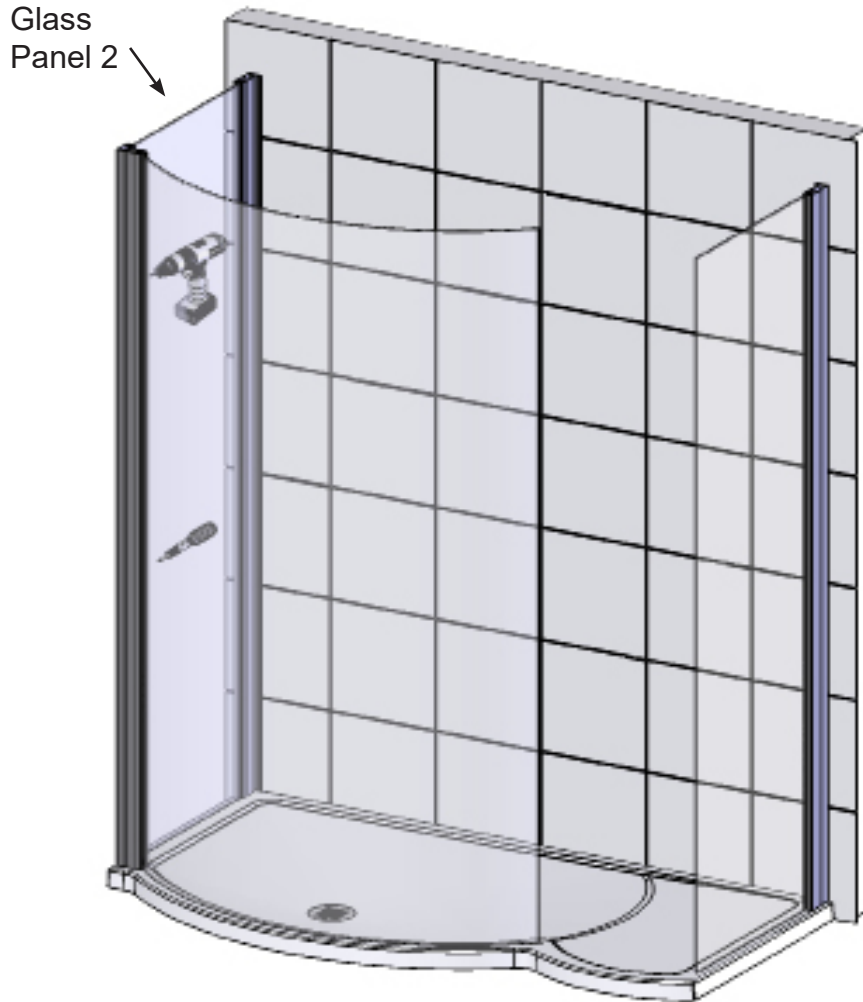
**IMPORTANT:** You may need help with holding the Panel / Panels in place while drilling and fixing.

**INFORMATION:** If fitting straight to floor see the Floor Guidance page at the back of these instructions.

## Step 6 - Curved Panel (V8CGR or V8CGM)

**Note:** Carefully remove the transport bands from the glass panels before commencing this step.

**WARNING:** In order to protect your shower enclosure during installation it is important to ensure the edgework of the glass is not vulnerable to any impact. Toughened glass can, in certain circumstances, break if it receives an impact on its edgework. Please ensure you place heavy card or other forms of protection under the edge of the glass when sliding into the framework



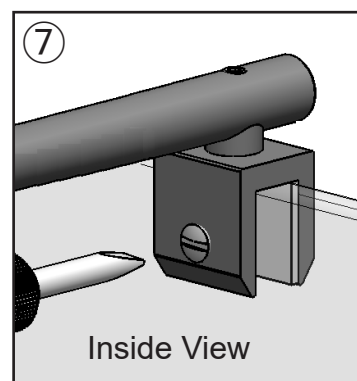
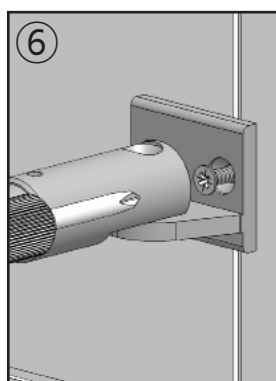
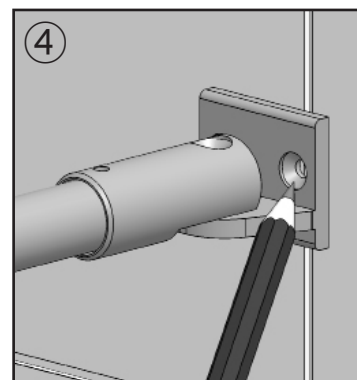
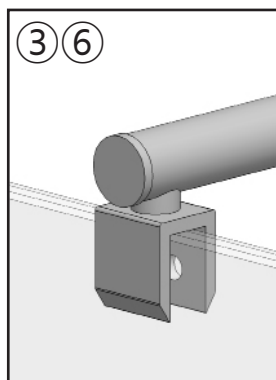
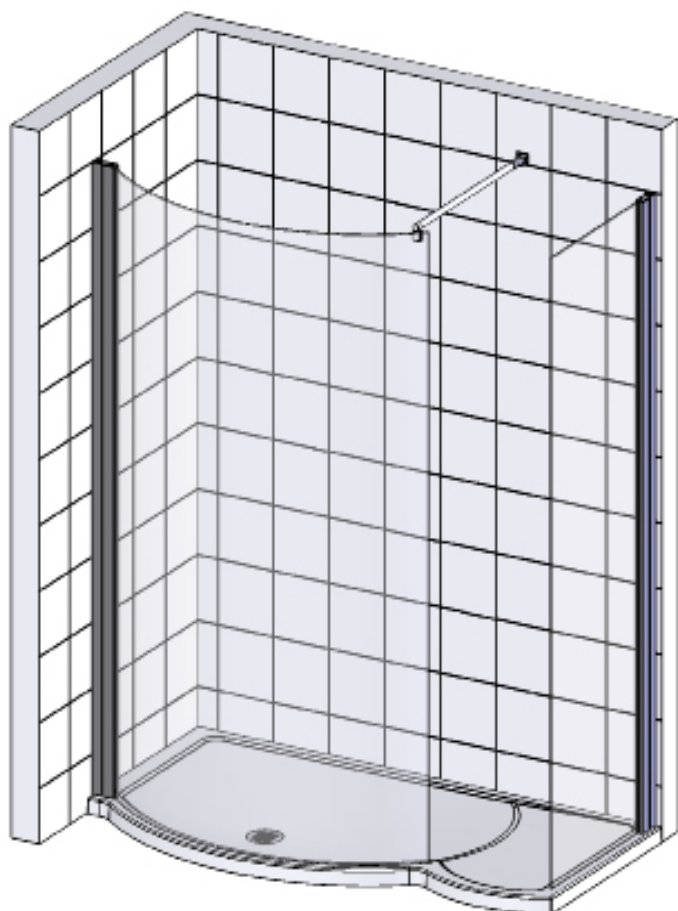
1. Remove the Red Transit Caps from each end of the Curved Panel.
2. Place the Curved Panel over the Corner Post making sure the glass is concentric to the front of the tray.
3. Ensure the Curved Panel is vertical then drill 3 holes through the Panel Vertical and into the Corner Post approximately 100mm from the top and bottom and the other in the centre with the 2.5mm drill (supplied).
4. Place the bases onto the 9mm screws and fix the Panel to the Corner Post, push on the Screw Cover caps.
5. Before proceeding to the next Step (Bracing) ensure that Glass Panel 2 is parallel to the tray and the Curved Glass is concentric.

**IMPORTANT:** You may need help with holding the Panel / Panels in place while drilling and fixing.

**INFORMATION:** If fitting straight to floor see the Floor Guidance page at the back of these instructions.

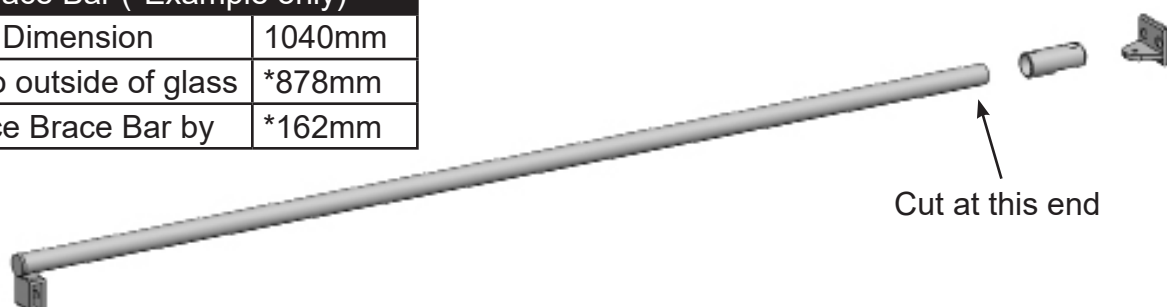
## Step 7 - Bracing

NOTE: The Straight Section of the Brace Bar assembly may need shortening, if so use a hacksaw or similar. It is IMPORTANT that it is shortened at the Wall Bracket end - be sure to remove all burrs and sharp edges.



### Brace Bar (\*Example only)

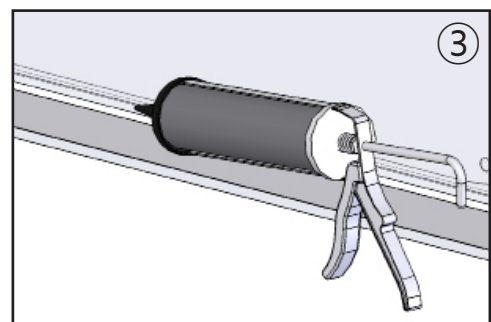
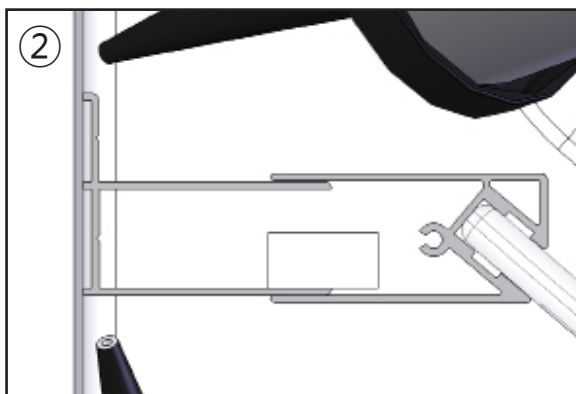
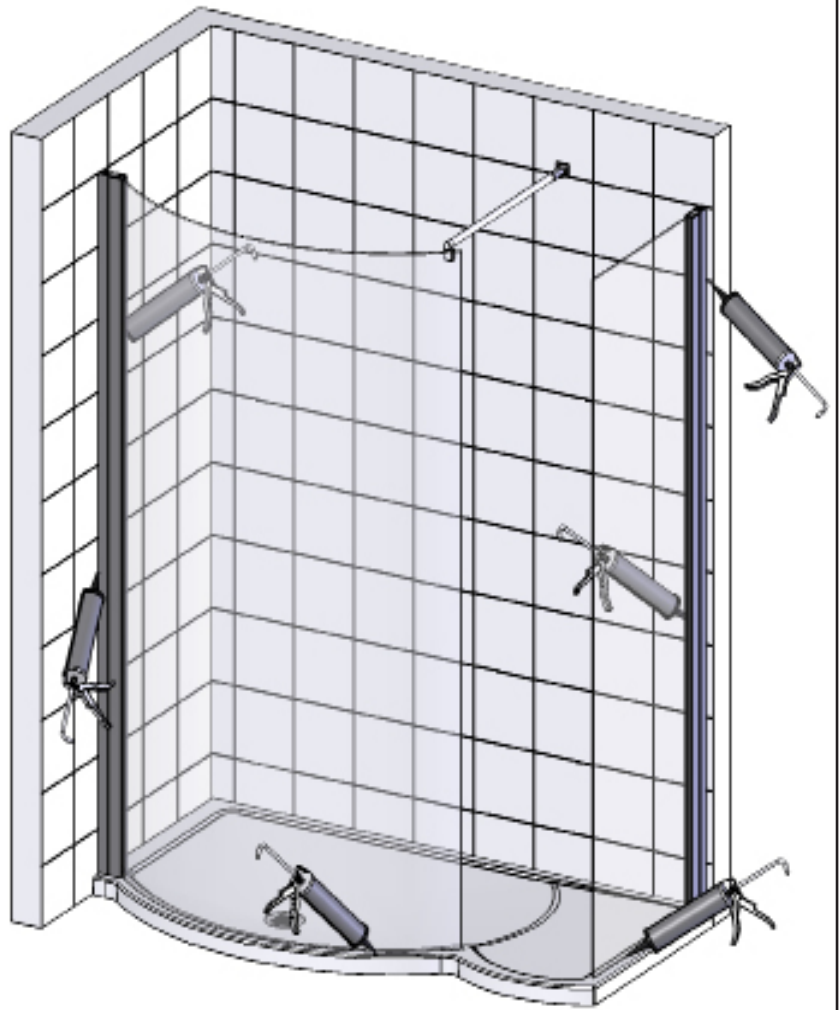
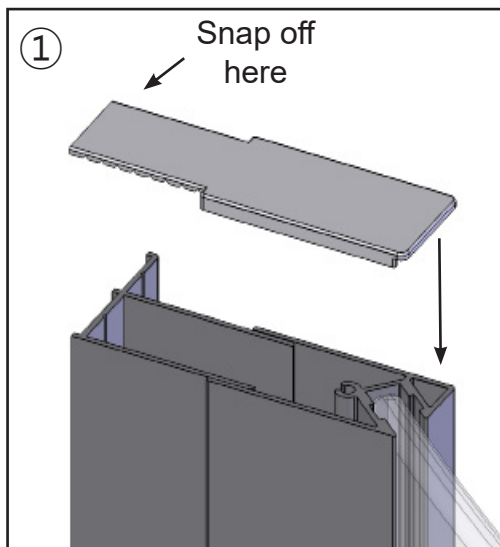
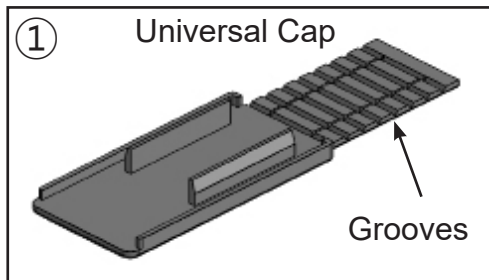
Given Dimension	1040mm
Wall to outside of glass	*878mm
Reduce Brace Bar by	*162mm



1. Measure the distance from the back wall to the outside face of the Curved Panel Glass.
2. Deduct that measurement from 1040mm, shorten the Brace Bar by the new amount (see \*Example above).
3. Place the Bracing Assembly over the glass and up to the back wall (place the bracing close to the end of the Panel Glass for the best stability). Use a Spirit level to keep it level.
4. With a pencil mark the wall through the screw holes in the Wall Bracket.
5. Remove the Bracing and drill the holes using a 6mm Masonry Drill (not supplied) and fit the Wall Plugs.
6. Replace the Bracing Assembly on to the Panel Glass and secure the Wall Bracket to the Back Wall.
7. Place the plastic spacers between the Glass and Glass Bracket and tighten the Slotted Screw.
8. Tighten all screws.
  - There is 10mm of adjustment in the Brace Bar assembly to allow for correct adjustment.
  - The Brace Bar must be level, use a Spirit Level and ensure the bubble is in the middle of the two lines.
  - The panel must be vertically level, use a Spirit Level and adjust the bracing to achieve this.

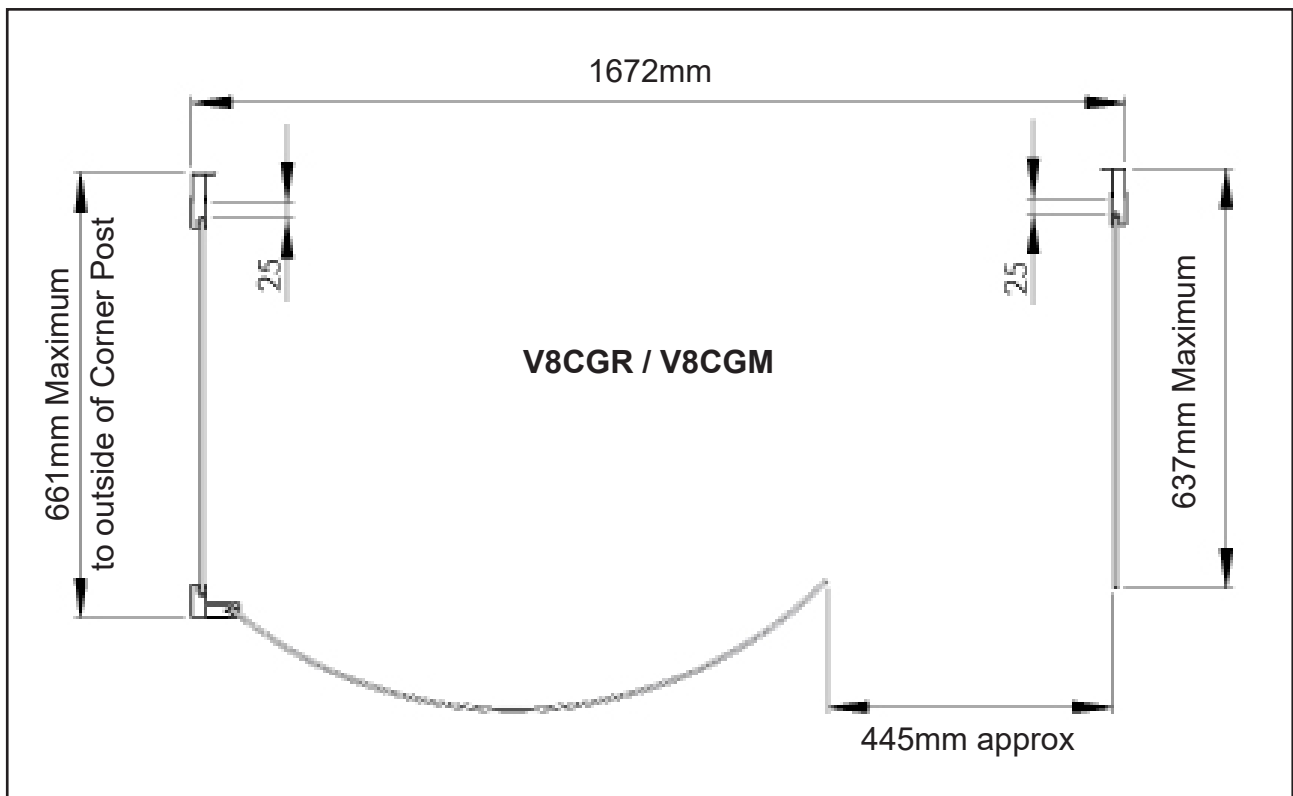
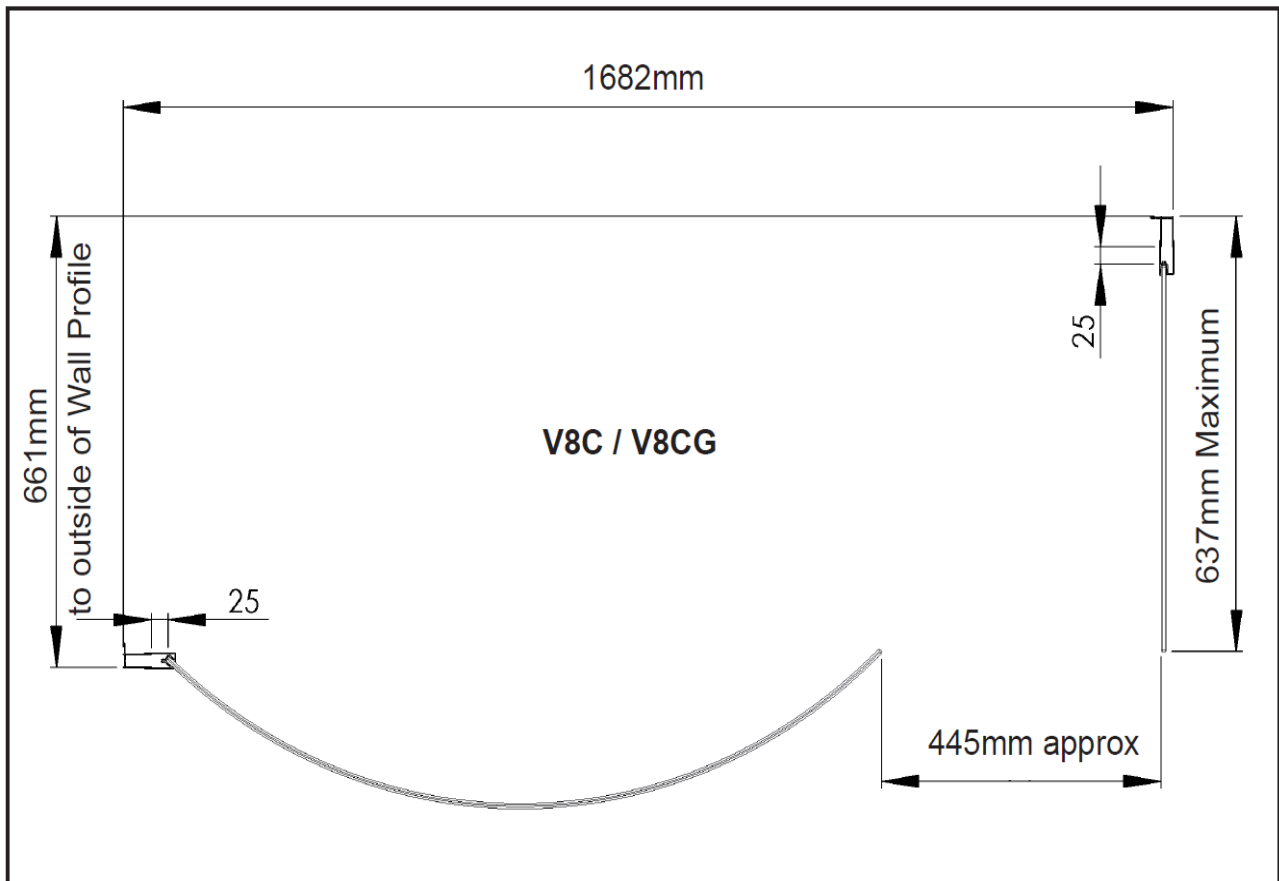
## Step 8 - Cover Caps and Sealing

NOTE: The images below are for a V8CG, the same criteria must be adopted for all options i.e. Sealing inside and outside vertically on all Wall Profiles and sealing the base fully on the outside only.



1. The Universal Caps that fit on the top of the Panel Verticals have grooves so they can be shortened for a better fit by snapping off at certain points.
  - You can add a small amount of silicon between the bottom of the caps and the tops of the aluminium to help keep them in place.
2. Using a good quality sealant seal both sides of the Wall Profiles vertically inside and outside where they meet the tiled walls.
3. Seal the enclosure horizontally the full length to the tray/wetroom floor on the outside only.
  - **IMPORTANT: Failure to follow Stages 2 and 3 may result in serious water damage and will not be covered under the terms of the guarantee.**
  - Do not seal the inside of the enclosure horizontally.
  - Please allow 24 hours for the sealant to fully cure before using the enclosure.
4. Place the Branding Badge (if applicable) on a prominent none moving part of aluminium..

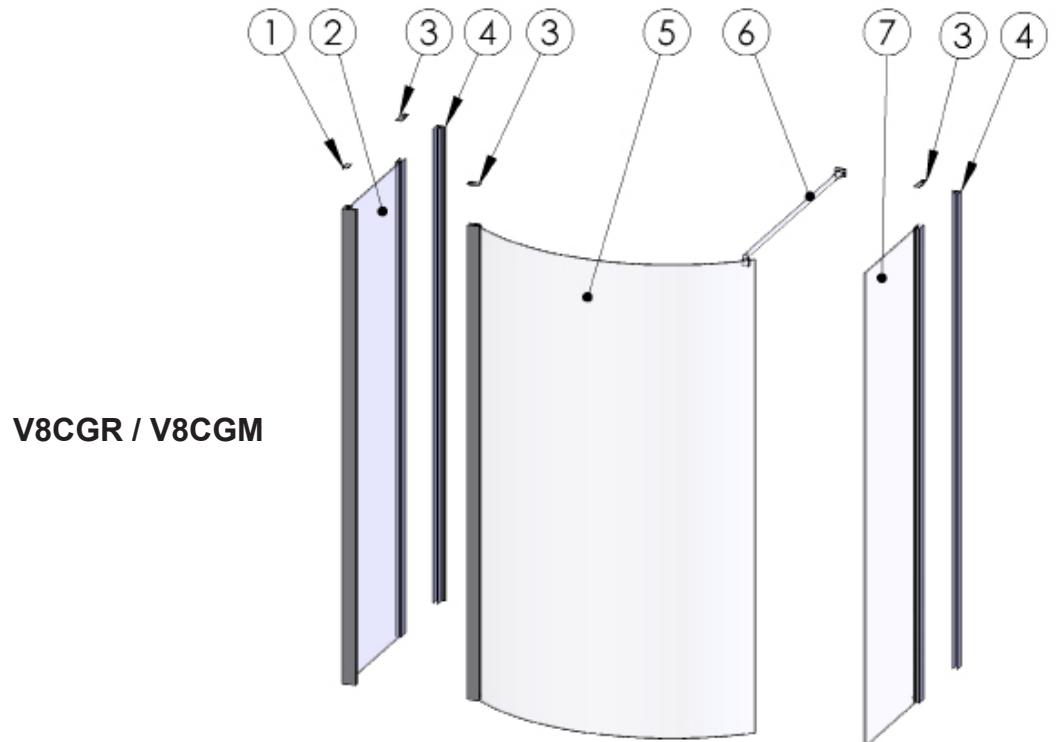
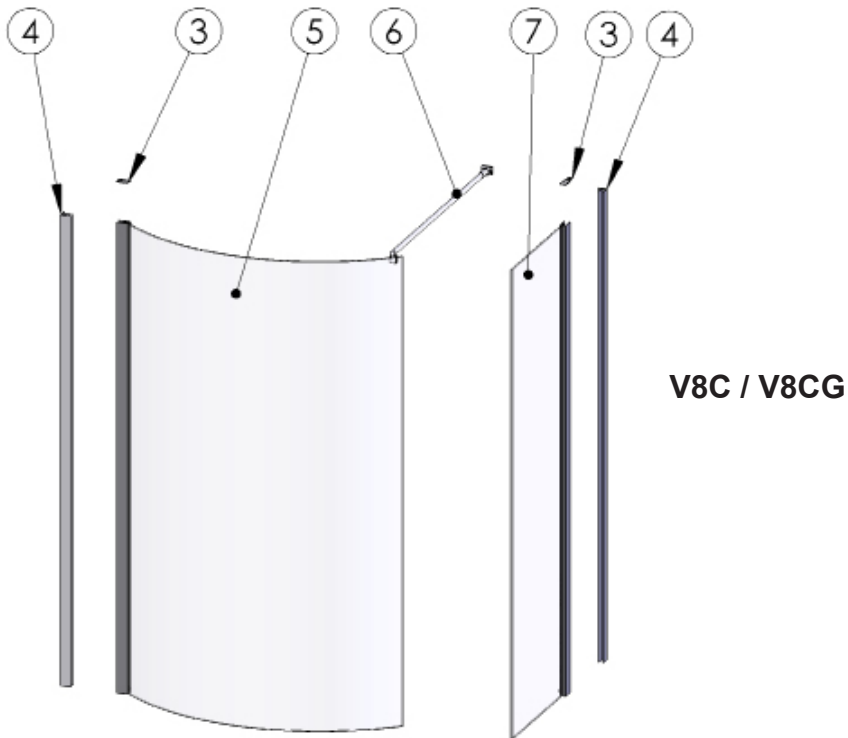
## Floor Guidance



- The dimensions given above in the 2 diagrams are for guidance in a wet room situation.
- Measurements stating maximum can not be increased from the given dimensions.
- The 25mm dimensions indicate that the product can be reduced by that amount.

## Spare Parts

If you need to replace any damaged parts please see illustration below for parts list then call Customer Relations on 01325 328033



Part No.	Description	V8C (Quantity)	V8CG (Quantity)	V8CGR (Quantity)	V8CGM (Quantity)
1	Corner Cap	N/A	N/A	1	1
2	Glass Panel 2	N/A	N/A	1	1
3	Universal Top Caps	1	2	3	2
4	Wall Profiles	1	2	2	1
5	Curved Panel Assembly	1	1	1	1
6	Bracing Assembly	1	1	1	1
7	Glass Panel 1	N/A	1	1	N/A

## TROUBLE SHOOTING GUIDE

Problem	Solution
<b>Leaking</b>	<ol style="list-style-type: none"><li>1. Check that the inside gap between the Tray and Wall profiles has been sealed correctly.</li><li>2. Ensure the tray is sealed along the tiled walls prior to installation.</li><li>3. If the inside joint between the enclosure and the tray top is sealed, this will cause leakage - sealant must be removed.</li><li>4. Ensure the wall profiles on the tiled walls are sealed both vertically inside and outside.</li><li>5. Ensure the joint between the enclosure and tray top is sealed.</li></ol> <p><b>Important: This enclosure should be water tested conforming to BS EN 14428</b></p>
<b>Enclosure Alignment on the Tray</b>	<ol style="list-style-type: none"><li>1. Check that the Wall Profiles are vertical.</li><li>2. Check the tray installation.</li><li>3. Check the Brace Bar has been fitted correctly and adjusted.</li><li>4. Check the Panels are vertical.</li></ol>

### Some important information to help you Maintain your product.

The following information is all you need to keep your product looking new.

Clean your product using a mild detergent diluted in water and then polished off using a soft cloth. If you live in a hard water area, periodically clean your product using a 50/50 solution of white vinegar and water. The solution should be left on the enclosure for approximately 5 minutes then rinsed off using warm water. This method of cleaning should remove lime scale residue.

### Simple Maintenance

Our products are generally maintenance free, however it may be necessary to lubricate wheel assemblies and other moving parts from time to time.

It is strongly recommended that a quality silicone spray is used.

### A list of Don't's:

1. Don't use acidic based products which are unsuitable for cleaning enamel surfaces.
2. Don't use abrasive cleaners or cleaners using bleach or solvents, these products will adversely affect the finish of the aluminium profiles.
3. Don't use scouring pads, powder or any sharp instruments when cleaning the enclosure.

Should you experience any problems during installation please refer to the Trouble Shooting Guide or contact Customer Relations on:

**+44 (0) 1325 328033**

To enable customer relations to provide you with an excellent level of service it is important that you quote your product Code and Reference Number - these can be found on the Guarantee card.