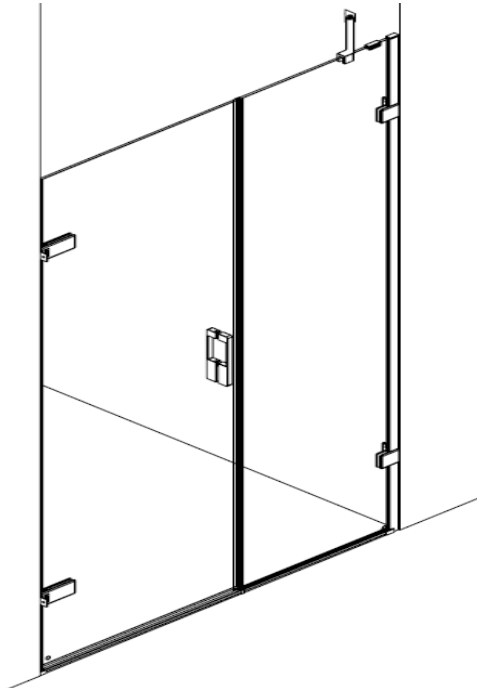


Liberty Hinged Door and Inline Panel for Alcove KL1HD + KL1H / TL1HD + TL1H



Handling

Be aware toughened glass can shatter if not handled correctly. It should not be subjected to any sharp impact and it is essential to protect the glass by resting it on a soft protective surface during installation such as cardboard or carpeting. It is recommended to wear PPE at all times during installation.



Pre-Installation Checks

1. Please take time to read these instructions prior to installing your product, including the Tray Sizes section below.
2. Check you have the correct product, by looking at the labels on the side of the product packaging.
3. Check all the product components and fixing kits are in the box - [these are listed on the next page](#).
4. Please check the product for defects or damage, once the installation has commenced we cannot accept responsibility for any defects or damage.
5. Before you commence any drilling check there are no hidden electrical cables and/or water pipes.
6. No attempt should be made to re-work the toughened safety glass.
7. The installation of the product should be performed by two persons.
8. It is strongly recommended the product is fitted on a tiled surface or similar waterproof surface - which are tiled and grouted before product is installed.
9. It is strongly recommended that the walls the product is going to be installed on are vertical, and the floor/tray is level.
10. Please note that some natural misting may occur when you remove this product from its packaging, due to the addition of the glass protection pre-coating. If this does occur this can easily be removed with a soft, dry cloth.

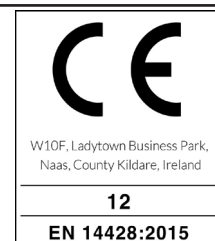
Tray Sizes

Important: You MUST measure your tray before you proceed with installation. Liberty Products have been designed to fit on standard Roman trays which have only been tiled over by 10mm at a maximum, If your tray exceeds this given value, you may need a bespoke product. The 'Adjustment' displayed in the brochure or on your bespoke customer drawing is the required Alcove tray size - this is at MID Adjustment unless stated otherwise.

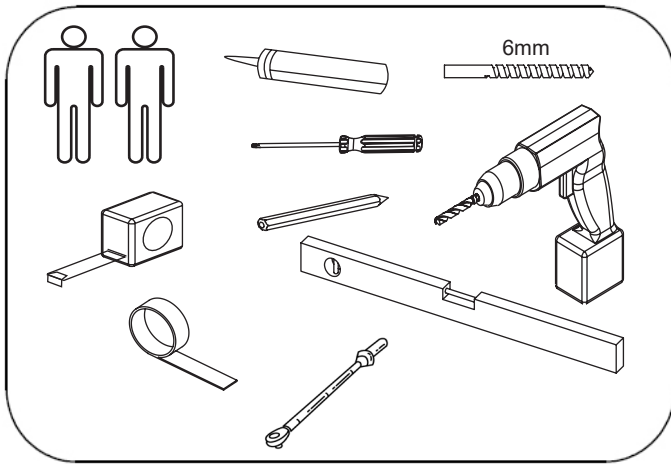
Refer to Step 1 for a guide on how to measure your tray accurately before proceeding any further - Roman will not be liable if you begin installation without correctly measuring your tray, to the realisation it doesn't fit.

Consumer Guarantee

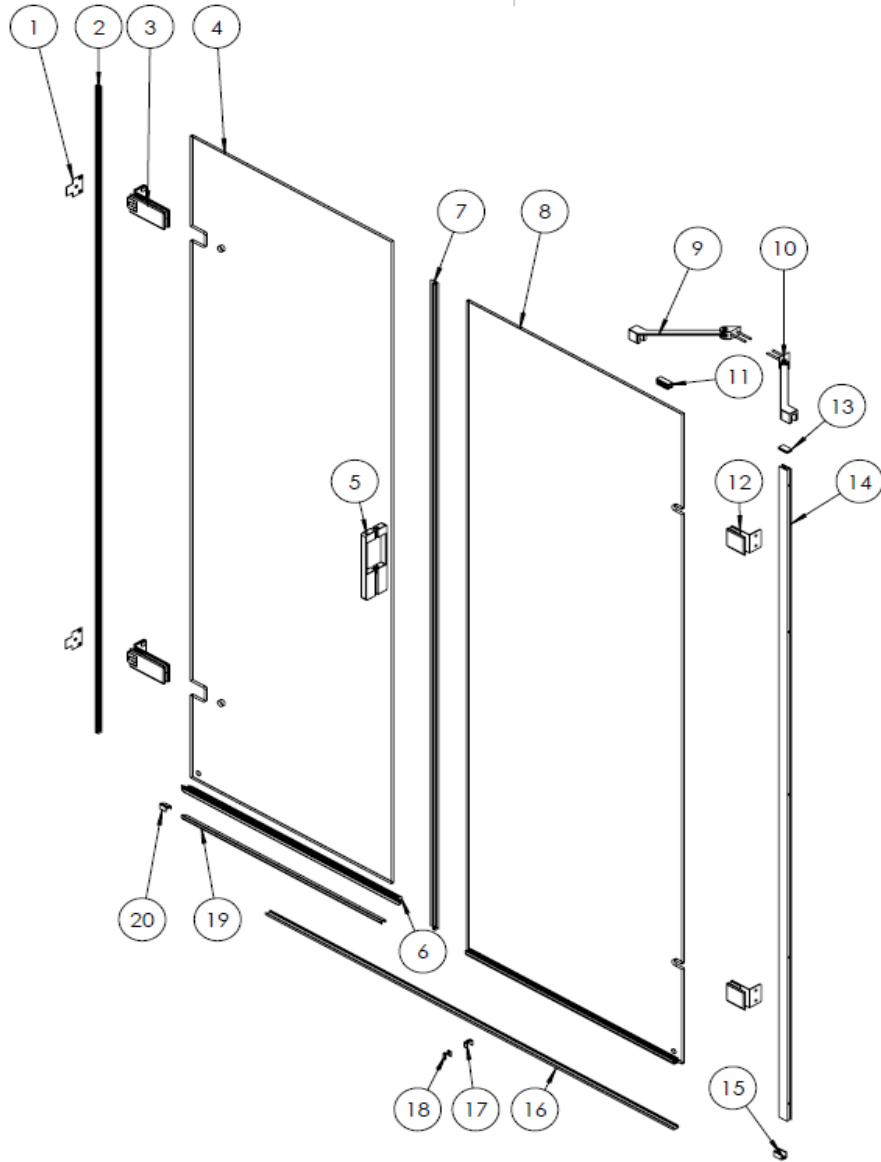
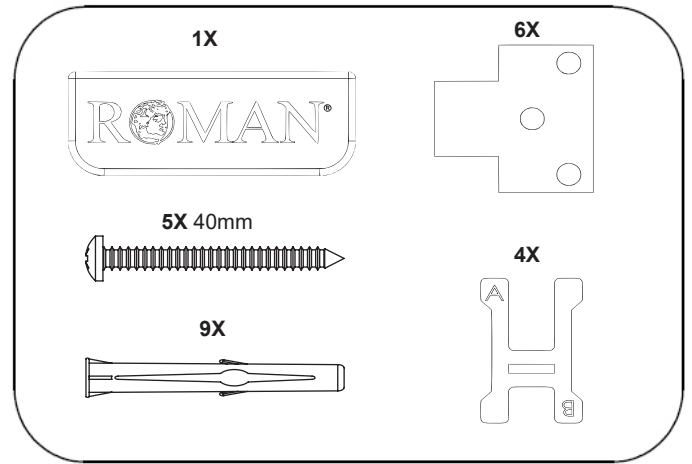
Please make sure the purchaser/end user completes and returns the guarantee card which is enclosed with this product. Failure to validate the Guarantee will mean only the 1 Year Statutory Guarantee will apply.



Equipment Checklist: Not Supplied



Fixing Kit Components



No.	Description	Qty.	No.	Description	Qty.
1	'T' Shaped Gaskets	6	11	Branding Badge	1
2	Bubble Seal	1	12	Wall Brackets	2
3	Glass to Wall Hinge Assemblies	2	13	Top Cap	1
4	Door Glass	1	14	Wall Profile	1
5	Door Handle	1	15	Dam to Profile Joint	1
6	Door Seal	1	16	Bottom Rail	1
7	Vertical Panel Seal	1	17	Blanking End (RH)	1
8	Panel Glass Assembly	1	18	Blanking End (LH)	1
9	Bracing Assembly (R-Hand)	1	19	Door Bottom Rail	1
10	Bracing Assembly (L-Hand)	1	20	Wall to Dam Joint	1

Step 1 - Tray Sizes

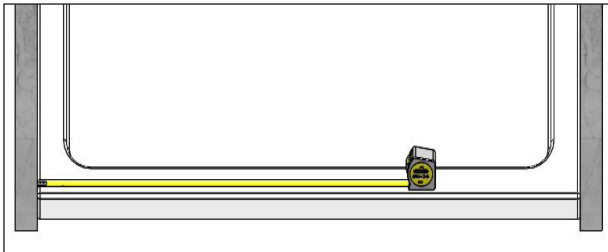
Your area must be tiled and grouted before measuring your tray - refer to your tray installation instructions and ensure this is done correctly. This is because tray measurements are taken from the tiled wall. Once tray installation is complete you can proceed to measuring the area. Liberty Products have been designed to fit on trays which have been tiled over by 10mm **maximum** (each wall). The tables below show the range of tray widths which will allow for correct fitment - this is for standard products only. For Bespoke products please refer to your customer drawing for the MID Adjustment of the Door, this is the required Alcove size.

Door / Inline Code	Tray Width
KL1HD213 + KL1H76 / TL1HD213 + TL1H76	733mm - 747mm
KL1HD213 + KL1H8 / TL1HD213 + TL1H8	773mm - 787mm

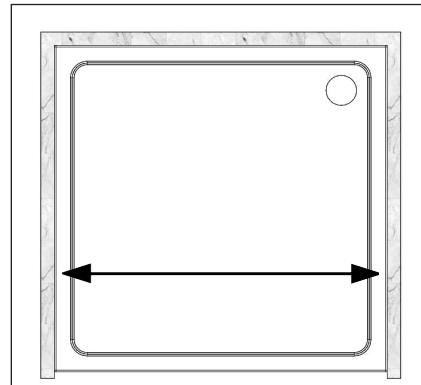
Door / Inline Code	Tray Width
KL1HD13 + KL1H913 / TL1HD13+ TL1H913	873mm - 887mm
KL1HD13 + KL1H1013 / TL1HD13 + TL1H1013	973mm - 987mm
KL1HD13 + KL1H1213 / TL1HD13 + TL1H1213	1173mm - 1187mm
KL1HD13 + KL1H1413 / TL1HD13 + TL1H1413	1373mm - 1387mm
KL1HD13 + KL1H1613 / TL1HD13 + TL1H1613	1573mm - 1587mm

If your tray exceeds the given amount for your product size, you may need a bespoke product.

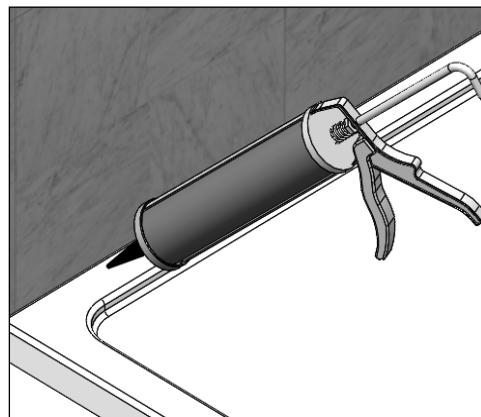
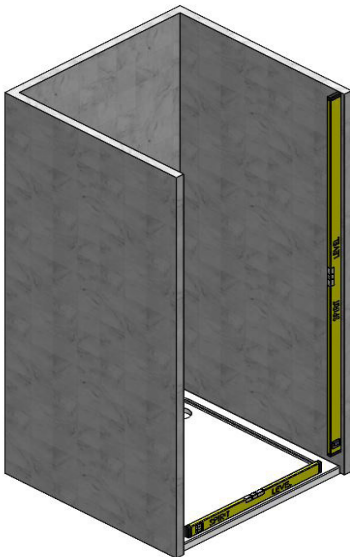
Use the table above and measure the Tray. We recommend measuring the bottom, middle and top across a 2000mm height.



Measure from one tiled wall to the other.



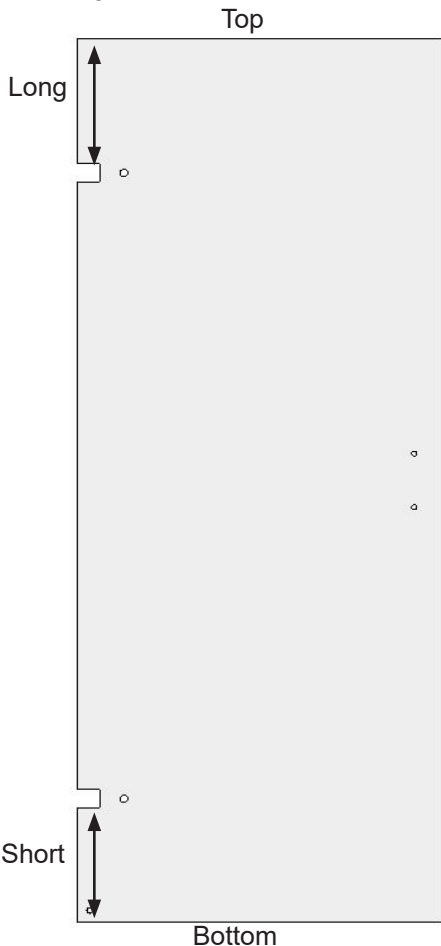
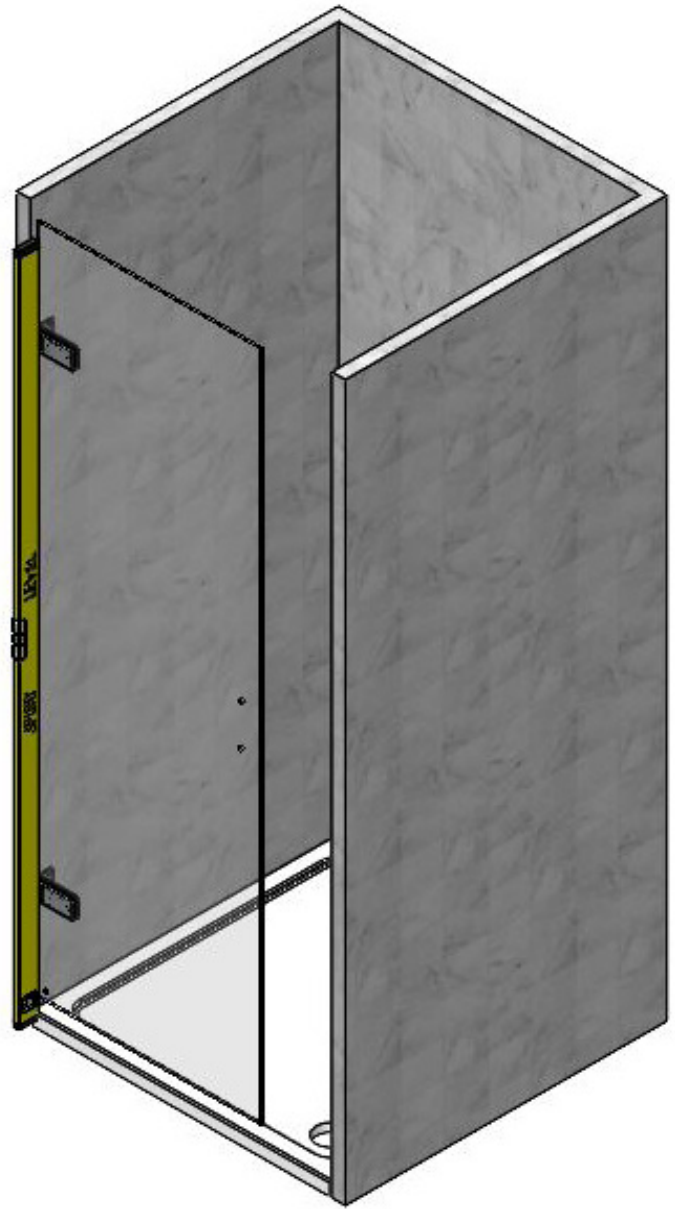
Step 2 - Pre-Installation Checks



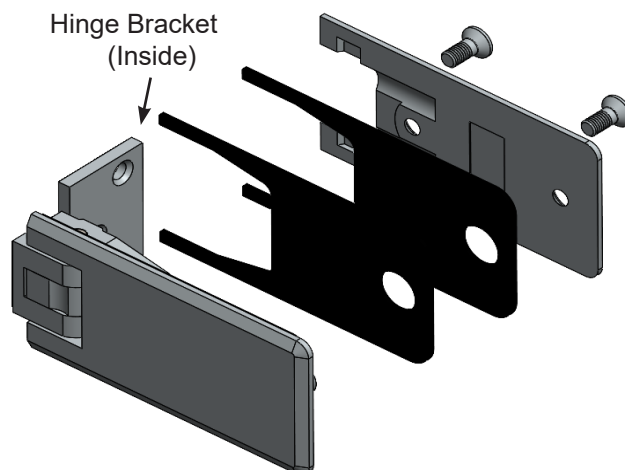
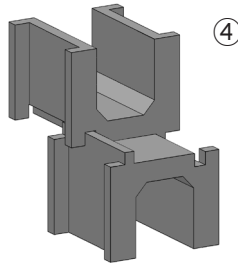
1. Make sure the tray is installed as per the manufacturer's instructions.
2. Check your Tray and Walls are level on all sides (the bubble on the spirit level must be in the centre of the 2 lines).
 - If the Walls & Tray are not level you will not achieve the +/- 7mm of adjustment.
3. Stand in the tray and check that there is no adverse movement (correct if necessary).
4. The walls should be tiled and grouted up to the tray.
5. The tiles and the tray should be sealed using a good quality bathroom sealant:
 - Spray the seal and joints with the shower head and check for leaks when the silicon has cured.
 - Check the plumbing for leaks.
 - DO NOT plasterboard over the tray.
 - DO NOT grout the tiles when the enclosure has been fitted, the grout may discolour the aluminium profiles.

Step 3 - Door Hinge Position

1. Mark 6mm in from the outside edge of the tray using a tape measure and mark the Wall using a pencil, this will be the hinge position.
2. Place a Spirit Level onto the pencil mark and add a pencil line fully up the wall.
 - **Placing some Masking Tape on the Tiled Wall at the position where the Hinges are to go will not only help with marking out but will also help protect the tiles when drilling.**
 - **Use the Spirit Level is completely vertical when marking the wall.**
3. Make sure you have the Door Glass the correct way then carefully dismantle the Door Hinge Assemblies and fit to the glass ensuring all gaskets are fitted.
 - **IMPORTANT: If you have have purchased an 8mm product use TWO gaskets either side of the glass (one thick and one thin), if you have purchased a 10mm product use ONE thicker gasket either side of the glass.**
 - **IMPORTANT: If you have have purchased a product with a print, please ensure you fit the print on the outside**
4. Take the Red Door Setting Blocks and slide them together to create 2 small assemblies. Position them on the tray where the Door is going to go.
5. Lift the Door assembly onto the Red Setting Blocks and up to the wall.
6. Line the outside of the Hinge Bracket onto the pencil line ensuring it is kept completely vertical.
7. Mark the wall through the holes in the Hinge Bracket.
8. Remove the Door Assembly then drill the wall with a 6mm masonry drill (not supplied). Remove the Masking tape and fit the Wall Plugs and remove any debris.
9. Carefully remove the Hinge Assemblies from the Door Glass.
 - **IMPORTANT: We recommend that 2 people do the operations as shown above.**



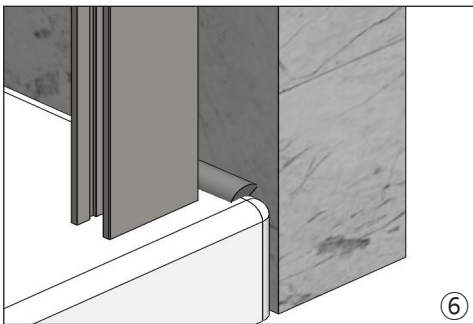
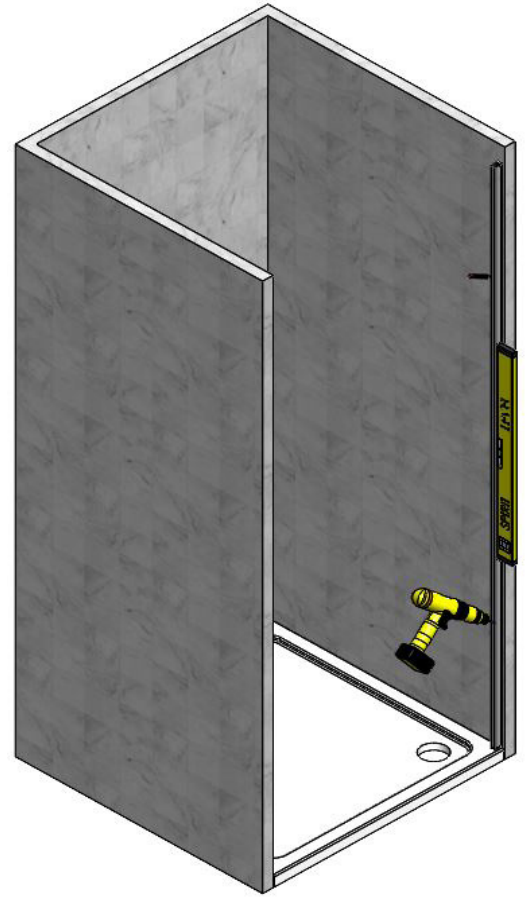
③



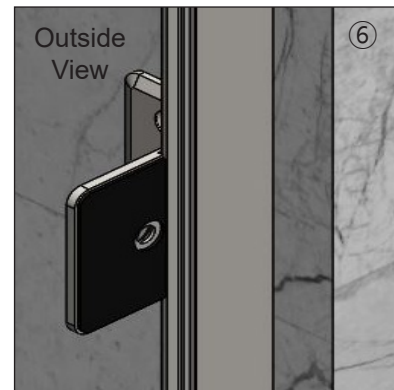
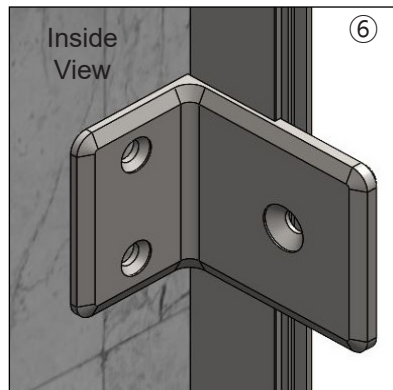
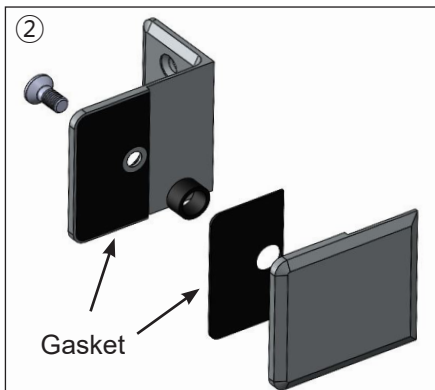
Step 4 - Wall Profile Position

IMPORTANT: 8mm Products have the same Wall Profile and Seal Carrier as a 10mm Product. Make sure the Profiles are fitted on the side where the Door is going to close.

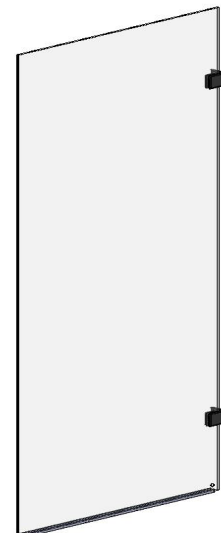
1. Measure 10mm in from the outside edge of the Tray, and mark the Wall with a Pencil.
2. Place a Spirit Level onto the pencil mark and add a pencil line fully up the wall.
 - **Placing some masking tape where the Wall Profile will go will help with marking out and protect the tiles when drilling**
 - **Use the Spirit Level and ensure the pencil line is completely vertical.**
3. Place the inside of the Wall Profile onto the pencil line making sure that it is fully vertical.
4. Mark the Wall through the holes in the Wall Profile.
5. Remove the Profile, and drill with a 6mm masonry drill (not supplied). Then proceed to remove the masking tape and fit the Wall Plugs.
 - **Remove any debris.**
6. Apply a bead of sealant the width of the Panel Profile where it meets the top of the tray and the tiled wall.
7. Place the Wall Fixing screws into the holes in the Panel Profile, lining them up with the holes in the Wall and tighten all screws.



Step 5 - Fitting the Wall Brackets

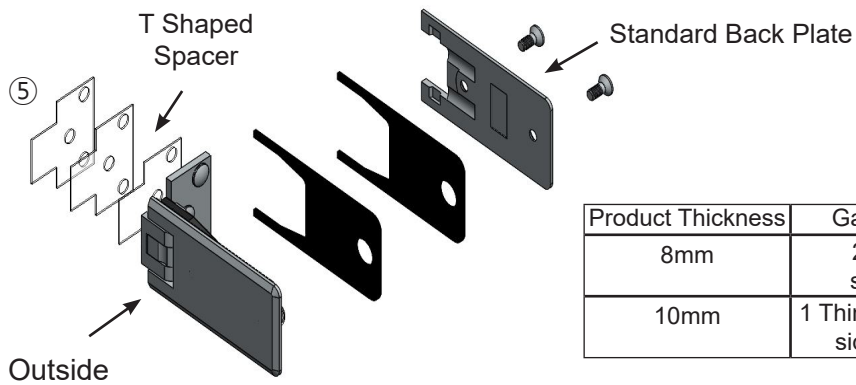


1. Dismantle the Wall Brackets and fit onto the Inline Panel Glass ensuring that all gaskets are fitted. Ensure that the brackets are fitted the correct way (screws to the inside).
 - **IMPORTANT: If you have purchased a product with a print, please ensure you fit the print on the outside.**
2. Carefully lift the Panel into the Wall Profile and up to the wall.
3. Mark the wall through the holes in the Brackets using a pencil. Remove the Panel.
4. Drill the wall with a 6mm masonry drill (not supplied). Fit the Wall Plugs and remove any debris.
5. Remove the brackets from the Panel and fasten the inside bracket to the wall and over the Wall Profile.

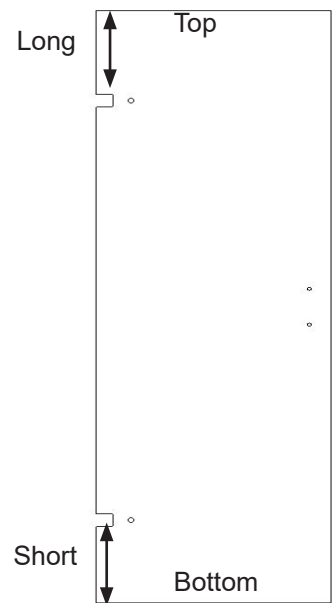


Step 6 - Fitting the Door

Note: we strongly recommend 2 people carry out the procedures below.

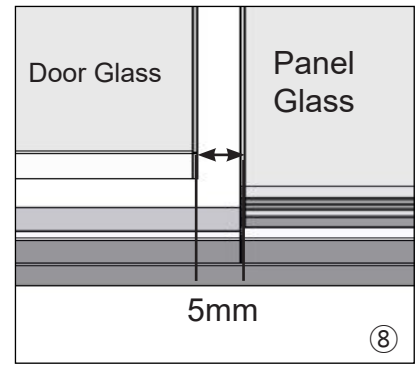
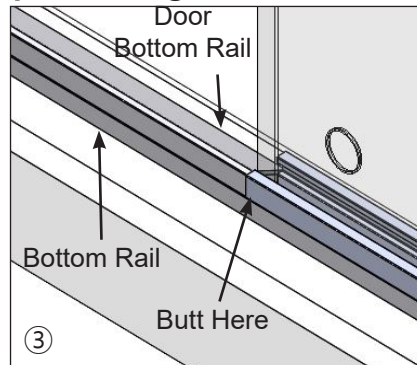
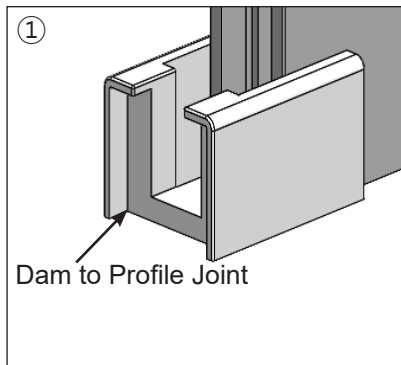


Product Thickness	Gaskets Required
8mm	2 Gaskets either side of the Glass
10mm	1 Thinner Gasket either side of the Glass

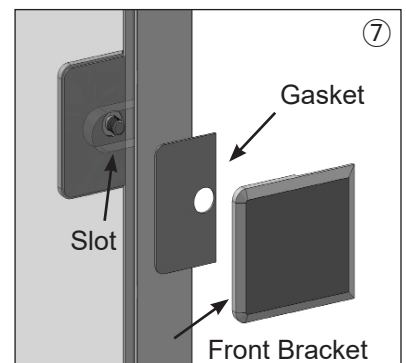


1. Fasten the Hinges to the Wall using the countersink screws supplied.
2. Remove the screws from the back of the hinges, then remove the backplate and ensure there is the correct amount of gaskets on each hinge ([See Table](#))
3. Take the Door Setting Blocks and slide them together to create 2 small assemblies. Position them on the tray where the Door is going to go.
4. With the Door Glass the correct way round offer it onto the Hinges and onto the Red Setting Blocks
 - **IMPORTANT: If you have purchased a product with a print, please ensure you fit the print on the outside.**
5. Replace the gaskets and back plates onto the Hinges and fully tighten the countersink screws.
 - **IMPORTANT: Tighten the 4 Hinge fixing screws to 10N/m using a torque wrench.**
 - **Note: Included with the Product are 6 'T' Shaped Spaces. These are intended to help with out of true Walls.**
6. Remove the Handle Assembly from it's packaging and reassemble onto the Door Glass, ensure that the set screws are fitted on the inside of the Door and all gaskets are used between the glass and metal parts.
7. The Hinges can be adjusted inward or outward. Loosen the Adjusting Screw, move the Door to the desired position then tighten the Adjustment Screw.

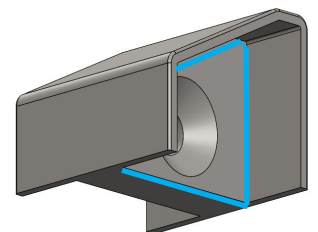
Step 7 - Fitting the Inline Panel



1. Place the Dam to Profile Joint over the Panel Profile at the bottom and push to the wall.
2. Slide the Bottom Rail over the Profile that is attached to the bottom of the Panel assembly.
3. Slide the Door Bottom Rail into the Bottom Rail and up to the Panel Glass, ensure the slope faces inward.
4. Place the Panel Assembly into the Panel Profile and into the Dam to Profile Joint.
 - **IMPORTANT: If you have have purchased a product with a print, please ensure you fit the print on the outside.**
5. Fit the Wall to Dam Joint over the other end of the Bottom Rail.
6. Place the Panel and all the Rails parallel to the tray.
7. Push the Panel into the Panel Profile and attach the front of the Wall Brackets to the already fitted Brackets and tighten, ensure that the gaskets are placed between the Brackets and glass.
- 8 Carefully close the Door so it is parallel with the Panel. Adjust the Panel by loosening the Brackets and move in or out until there is a 5mm gap between the Door and Panel then fully tighten the Panel Brackets.
 - **IMPORTANT: After adjusting the Panel ensure that the rails are positioned correctly and the Wall Dam Joint butts up the wall at the Door side. Ensure all is parallel.**

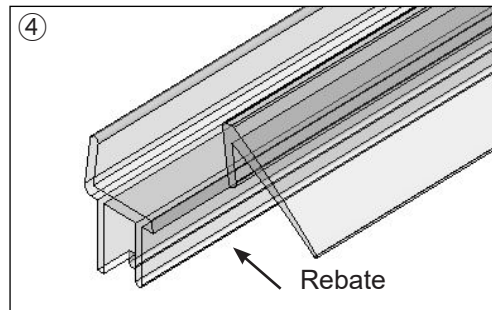
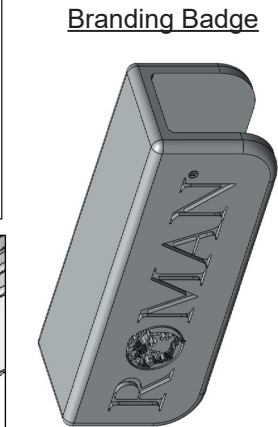
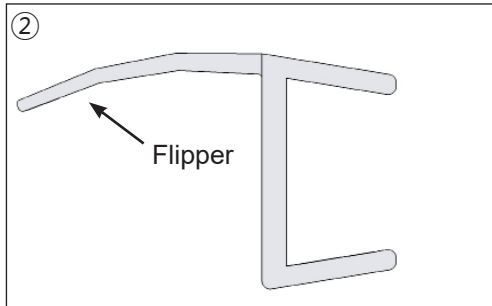
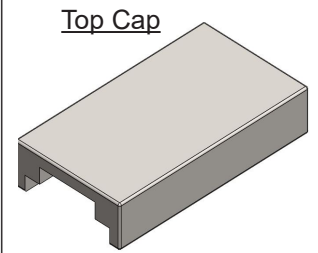
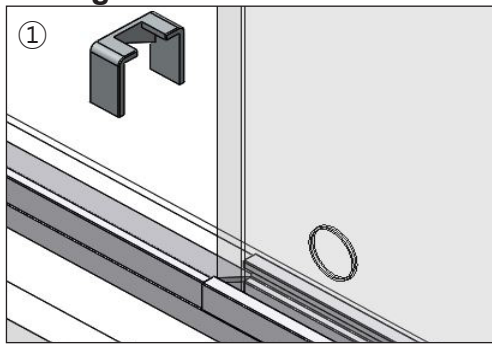


Wall to Dam Joint



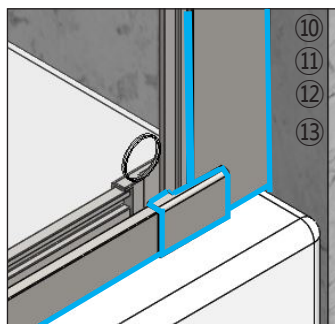
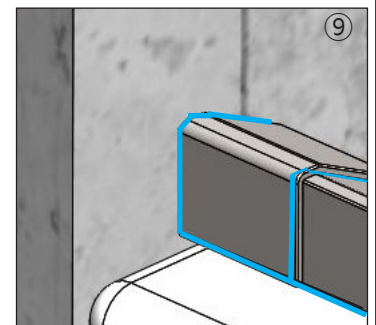
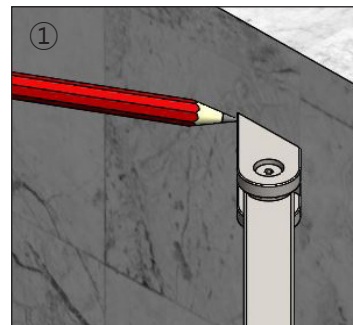
Step 8 - Fitting the Seals

- At the bottom of Panel Assembly, place a bead of silicon between the Glass and the bottom Rail. Fit the Blanking End (select the correct handing) then carefully remove any excess silicon.
- Fit the Panel Seal onto the Panel Glass and down on top of the Blanking End, trim to length if required.
 - IMPORTANT: Please ensure the Seal is fitted to suit Inward or Outward opening. The Door must close onto the Flipper, for example if the Door is Outward opening the Flipper must be on the inside of the shower.**
- Fit the Bubble Seals to the Hinge Side of the Door Glass, trim as required.
 - NOTE: The lower seal should sit as close to the top of the Wall to Dam Joint as possible.**
- The Bottom Seal requires a rebate at one end only (Handle side). Fit the Bottom Seal so that the rebated end is level with the glass at the Handle side of the door and cut it to length so that it butts up to the Hinge Bubble Seals. Push fully onto the glass.
 - IMPORTANT: The Seal is rebated at both ends, remove the rebate that is not required. You MUST ensure that the Deflector on the Bottom Seal is facing inward towards the shower.**
- Fit the Top Cap to the Panel Profile and the Branding Badge to the top of the Panel Glass.
- Fit all the Cover Caps to the screws to the Hinges, Wall Brackets and Bracing.



Step 9 - Bracing and Sealing

- Place the Bracing assembly onto the top of the Panel Glass and up to the tiled wall, use a Spirit Level to keep it horizontal.
- Lightly mark the tiles around the Wall Bracket. Remove the Bracing.
 - NOTE: Place masking tape where the Wall Bracket is to go as it will protect the tiles and aid in marking.**
- Remove the Wall Bracket from the Bracing Assembly. Place the Wall Bracket over the pencil mark and mark the hole positions.
- Drill the hole positions using a 6mm Masonry Drill (not supplied) and fit the Wall Plugs.
- Fit the Wall Bracket to the tiled wall using the screws supplied.
- Place the Bracing onto the top of the Panel Glass and into the Wall Bracket and re-assemble.
- Ensure that the gaskets are between the Glass and Bracing then fully tighten all screws in the Bracing.
- Lift the Wall to Dam Joint and place a bead of silicon to the base, add a bead of silicon to the inside of the Wall to Dam Joint at the side that goes over the rails and refit.
- Place a bead of silicon around the top of the Wall to Dam Joint, up the sides and to the wall.
- Place a bead of silicon around the top of the Dam to Profile Joint and up the sides.
- Seal the base of the enclosure horizontally on the outside only.
- Seal the Wall Profile up from the bottom of the tray, all the way up on the inside and outside of the enclosure.
- Seal up from the top of the Dam to Profile joint where the Glass meets the Wall Profile up to the first Bracket on the outside only.
 - Do not seal along the base on the inside.**
 - IMPORTANT: Failure to follow stages 8,9,10,11 and 12 may result in serious water damage and is not covered under the terms of the guarantee.**



Trouble Shooting Guide

Should you experience any problems during installation please refer to the Trouble Shooting Guide or contact Customer Relations on:
+44 (0) 1325 328033

To enable customer relations to provide you with an excellent level of service it is important that you quote your product Code and Reference Number - these can be found on the Guarantee card.

Problem	Solution
Leaking	<ol style="list-style-type: none">1. Check that the inside gap between the Tray and Wall profile has been sealed correctly.2. Ensure the tray is sealed along the tiled walls prior to installation.3. If the inside joint between the enclosure and the tray top is sealed, this will cause leakage - sealant must be removed.4. Ensure the joint between the enclosure and tray top is sealed on the outside.5. Ensure that there are no gaps between the Panels at the corner. <p>Important: This enclosure should be water tested conforming to BS EN 14428</p>
Enclosure Alignment on Tray	<ol style="list-style-type: none">1. Have you read and understood Step 1 of the instructions?2. Is the enclosure fitted onto a tiled wall?3. Is the wall profile completely vertical?
Door not operating correctly	<ol style="list-style-type: none">1. Ensure both Hinge Assemblies are completely vertical.2. Adjusting the Set screw on the inside of the Hinges can help.3. Ensure the tray is completely level.4. Check the bottom of the door is parallel to the top of the tray.
Door Alignment	<ol style="list-style-type: none">1. Ensure the Hinge Assemblies and Wall Profile is completely vertical.2. Ensure you have read and understood Step 1 of the instructions.3. Check the bottom of the Door is parallel to the top of the Tray.4. Check the Hinge Screws have been fully tightened to 10N/m.
Panel Alignment	<ol style="list-style-type: none">1. Ensure the Tray is completely level.2. Check the Bracing is fitted correctly and fully tightened.

Important Information to help you maintain your Product:

The following information is all you need to keep your product looking new.

Our products are generally maintenance free, however it may be necessary to lubricate wheel assemblies and other moving parts such as hinges from time to time.

Clean your product using a mild detergent diluted in water and then polished off using a soft cloth.

If you live in a hard water area, periodically clean your product using a 50/50 solution of white vinegar and water. The solution should be left on the enclosure for approximately 5 minutes then rinsed off using warm water. This method of cleaning should remove lime scale residue.

It is strongly recommended that a quality silicone spray is used.

A list of Donts

1. Don't use acidic based products which are unsuitable for cleaning enamel surfaces.
2. Don't use abrasive cleaners or cleaners using bleach or solvents, these products will adversely affect the finish of the aluminium profiles.
3. Don't use scouring pads, powder or any sharp instruments when cleaning the enclosure.